



INTERNATIONAL LIFT EQUIPMENT PRODUCT CATALOGUE



Leicester: 0116 2690900
London: 0208 527 9669
Keighley: 01535 609 311

www.ileweb.com

TERMS & CONDITIONS

PRICING

Standard list prices.
Customers discount is not shown.

DELIVERY CHARGE

Goods delivered by our transport is 2.5% of the value of the goods with a minimum of £70.00 for goods up to the value of £5000 in the London area. For deliveries outside the M25 a minimum delivery charge of £35.00 will be applied. Goods delivered by other methods are at cost.

PACKING CHARGE

Goods delivered or collected by an outside carrier are subject to a packing charge at cost.

PRICE INCREASES

All prices are subject to increase without notification.

ORDER CANCELLATIONS

Acceptance of cancellation of an order will be at the discretion of the supplier and the right is reserved to make a reasonable charge for accepted cancellations when costs have been incurred by the supplier.

CHANGING OF MATERIAL

Changing of material (other than that incorrectly supplied) will be subject to a handling charge.

PAYMENT

Non-account clients: 7 working days clearance required from receipt of cheque.
Account clients: 30 days unless agreed.

GUARANTEE

12 months from date of delivery unless otherwise stated

INVOICING

Goods not collected or requested to be delivered within the month stated on the order will be automatically invoiced at the requested month for the full amount.

FAULTY MATERIAL

International Lift Equipment liability will not be extended beyond the replacement of the faulty component. Damaged goods must be reported within 3 days from receipt of goods.

BACK CHARGES

International Lift Equipment do not except back charges or damages.

MATERIAL SHORTAGES

Material shortages must be reported within 10 days from receipt of goods.

RETURNS

Non-stock lines and equipment not acceptable for re-sale due to condition cannot be accepted back for credit.

STORAGE

Equipment not being accepted for delivery within 4 weeks of agreed delivery date will incur costs for storage outside of our premises.

ENGINEER'S CALLOUT

Attendance of an electrical or mechanical engineer.

CHARGES

To site: for other than warranty or quality work, will be charged against a required order.

TEST WEIGHT HIRE

Test weight hire per ton, per week or £53.00 part of a ton or week delivery and collection (inside M25) £80.00.

ILLUSTRATIONS

The photographs and illustrations in this catalogue fairly represents the products listed. However, due to a policy of continuous improvement, we reserve the right to alter or amend the product specification and as such it does not form part of any contract.

Guides & Accessories

Guide Lubricators - page 5
 Guide Rails - page 5
 Shoes & Liners - page 6
 T Type Shoes - page 7, 8
 Roller Guides - page 9, 10
 Buffers - page 11
 Oil Buffers - page 12, 13
 Gas Buffers - page 14
 Shims & Packers - page 15

Doors, Door Gears & Accessories

GAL Door Operators - page 16, 17
 Prisma Door Operators - page 18, 19, 20
 Prisma Door Modernisation - page 21
 Prisma Landing Doors - page 22, 23
 Prisma F22 Landing Doors - page 24
 Prisma Mega & Macro - page 25
 Galaxy Car & Landing Door Packages - page 26, 27
 Landing door lock security device - page 28
 Switches - page 29
 Door Shoes - page 30
 Bottom Tracks - page 31
 Door Locks & Spares - page 32
 Microscan Detector Edge - page 33
 Gatelocks - page 34, 35

Motors & Divertors

Hollister Whitney - page 36
 Sassi Geared Motors - page 37, 38, 39
 Ziehl Abegg Geared Motors - page 40
 Ziehl Abegg Gearless Motors - page 41
 Divertors - page 42, 43

Safety Gears & Overspeed Governors

VG Compact Safety Gear - page 44
 Original Safety Gear - page 45
 PFB Overspeed Governors - page 46, 47
 Tension Weights - page 47
 Bode Overspeed Governors - page 48
 Bode Anti Slip Device - page 49

Car Accessories & Switching

Retiring Ramps - page 50
 Load Weighing Unit - page 50
 EN81:20 Compliant Products - page 51

Trailing Cable - page 51
 Handwind Unit - page 52
 PAWL Device - page 52
 Signs - page 53
 Rope Anchorages - pages 54
 Rope Accessories - page 55
 Tapehead - page 56
 Tapehead Fixing Kit - page 57
 Schmersal Positioning System - page 58, 59
 Limit Switches - page 60, 61
 Car Top Control - pages 62
 Alarms - pages 63
 Emergency Light - pages 63
 Dot Matrix Indicators - page 64
 LCD Indicators - page 65
 Surface Mounted Indicators - page 66
 Indicator Housing - page 67
 TFT Indicators - page 68, 69
 ILE L.E.D. Lighting - page 70, 71
 ILE Shaft Lighting Kit - page 72, 73
 Serial Speech Unit - page 74
 Pinhole Camera - page 74
 Arrival Gong - page 75
 Call Recognition Sounder - page 75
 DDA Indicator System - page 76
 Autodiallers - page 77

Push Stations & Lift Cars

Car Operating Stations - page 78
 Landing Operating Stations - page 79
 Vandal Resistant Cars - page 80
 Standard Lift Cars - page 81

Control Systems & MRL Lifts

Lift Controllers - page 82
 Skycom Control System - page 83, 84, 85
 Skycom CAN-X - page 86, 87
 Skycom CAN-X+ - page 88, 89
 ILE Absolute Shaft Encoder - page 90
 Web Based Monitoring - page 91
 MRL Complete Packages - page 92
 MRL Control Panels - page 93
 VF Add-on System - page 94
 Service & Repair - page 95
 ILE Remote Data Display - page 96, 97
 Energy Efficiency - page 98, 99

ABOUT ILE

International Lift Equipment was established in 1976 and has expanded its business annually with quality and state of the art equipment. Today the company boasts a 22,000sq ft office and warehouse in Chingford and a 65,000sq ft manufacturing outlet and office facility in Leicester. Together, they employ over 140 people.

Quality is a key issue for ILE. ILE have been assessed and registered as meeting the requirements of ISO 9001:2015. Certification is via BSI, who are a notified body, meeting the requirements of the European Lift Directive. This gives ILE the legal entitlement to design, manufacture, supply, install and test lift equipment.

Health and safety is vital in all industries, ILE have achieved certification to OHSAS 18001, a framework for occupational health and safety management helping to put in place the policies, procedures and controls needed to achieve the best possible working conditions.

The company enjoys an association with major sales and manufacturing companies in the majority of European countries, together with GAL and Hollister Whitney in the United States

The head office in London is home to a team of sales staff who are available to answer both technical and commercial enquiries, operating nation-wide. In addition to their extensive pre-sales service, they also offer a full after-sales service including on-site technical back up and group product training. The London warehouse houses in excess of £1 million worth of stock and is therefore able to provide a fast, efficient service to customers.

The manufacturing facility based in Leicester is generally split into three sections, these being mechanical, electrical and electronic departments.

The mechanical section produces a full range of lift equipment via a drawing office that offers a variety of services ranging from the design of complete bespoke lift packages to a single design item such as door packages, counter weights, lift cars, gear rafts etc. The manufacturing section utilises the latest machine technology, including a laser linked to CAD/CAM to produce high quality sheet metal parts.

The electrical section produces a full range of lift control systems to suit all requirements, from simple goods-only controls to more complex multi car group systems utilising the latest drive technology. The heart of the control system is the microprocessor that is designed by ILE's team of R & D engineers.

The electronics section has benefitted from heavy investment in the latest surface mount technology and produces products such as: Serial comms, digital indicators, speech synthesisers, tapehead detectors and their own microprocessors.

The group's policy of constant re-investment and re-appraisal in every aspect of the business, via a team of dedicated staff helps provide the service customers quite rightly demand.

DEPARTMENTS AND CONTACTS

Should you have a query or problem, please ensure you contact the correct department.

ILE LONDON: HEAD OFFICE

Sales, accounts, purchasing, warehousing, trade counter and technical support

SALES: The sales department in London deals with all issues relating to stock equipment (i.e. PL items) motors, gears, doorgears.

ACCOUNTS: The accounts department deals with all issues regarding the payment of invoices for the ILE group.

PURCHASING: The purchase office deals with orders placed and delivery enquiries.

WAREHOUSE: Contact the warehouse for information regarding transport, despatch and GAL.

TRADE COUNTER: Our trade counter allows for the collection of stock items and also carries a range of equipment for the lift fitter.

TECHNICAL SUPPORT: For support or advice on both mechanical and electrical equipment including on site support, contact our technical support team.

ILE LEICESTER: MANUFACTURING

Sales of controllers and complete lift packages. Electrical, electronic and mechanical production and technical support

SALES: For controller quotations and associated parts or complete lift packages, contact our sales team in Leicester

MANUFACTURING: Should you require any information about ILE's in-house manufactured equipment, contact our Leicester office.

GUIDE LUBRICATORS

- Sliding type, both fixed and self aligning available from stock with a range of liners e.g. Tufnol and Polyurethane
- Roller guide shoes for speeds up to 5mps with or without lubricators for top shoes



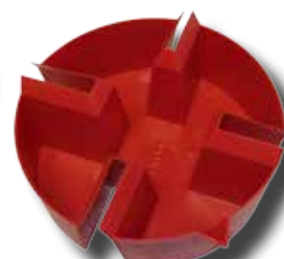
PL0760



PL0747



PL0747A



PL0200

LUBRICATORS	ILE PART No.
Lubricator	PL0760
Bracket (For 3016 lubricator only)	PL0773
"F" Type lubricator (16 mm guide rail)	PL0747
"F" Type lubricator (5 to 9 mm guide rail)	PL0747A
Oil drip tray (Fits 5 to 16 mm guide blade width)	PL0200

GUIDE RAILS

ILE also offers a full range of guide rails and fixings to suit.

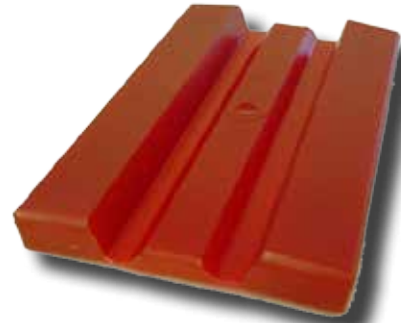
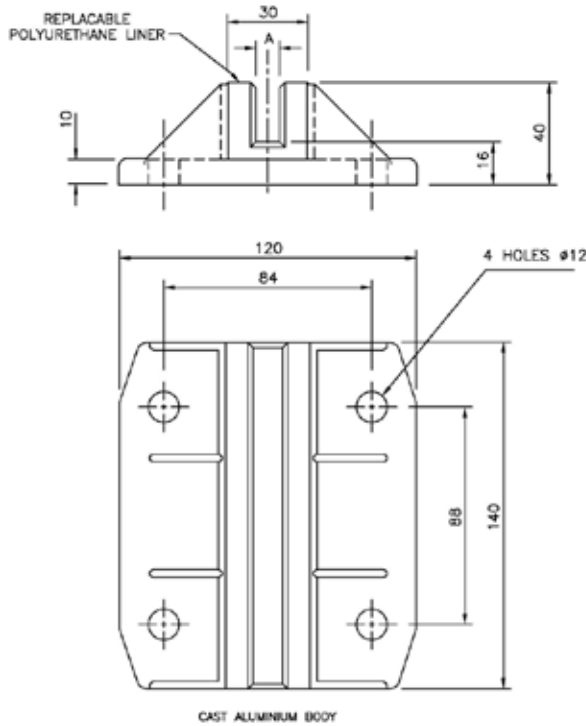


GUIDE RAILS & ACCESSORIES	ILE PART No.
COLD DRAWN GUIDE RAIL (INCLUDING FISHPLATES AND BOLTS)	
T45/A 45X45X5X5 mtr long	B101
T45/A 45x45x5x2.5 mtr long	B102
T70-1/A 70x65x9x5 mtr long	B103
T70-1/A 70x65x9x2.5 mtr long	B104
PLANED GUIDE RAIL (INCLUDING FISHPLATES AND BOLTS)	
T89/B 89x62x16x5 mtr long	B107
T89/B 89x62x16x2.5 mtr long	B139
T127-/B 127x89x16x5 mtr long	B108
T127-/B 127x89x16x2.5 mtr long	B140
GUIDE RAIL FIXINGS	
T127-2/B Fishplate only	PL0216
T45/A Fixings only (set of 8)	PL0204
T70-1/A Fixings only (set of 8)	PL0208
T89/B Fixings only (set of 8)	PL0214
T127-2B Fixings only (set of 8)	PL0217

Note: T701/A BGR Type T170
 T89/B BGR Type T161
 T127-2/B BGR Type T160

SHOES & LINERS

• Set of 4 shoes suitable for 1200Kg max contract load at 1.6m/s max lift speed

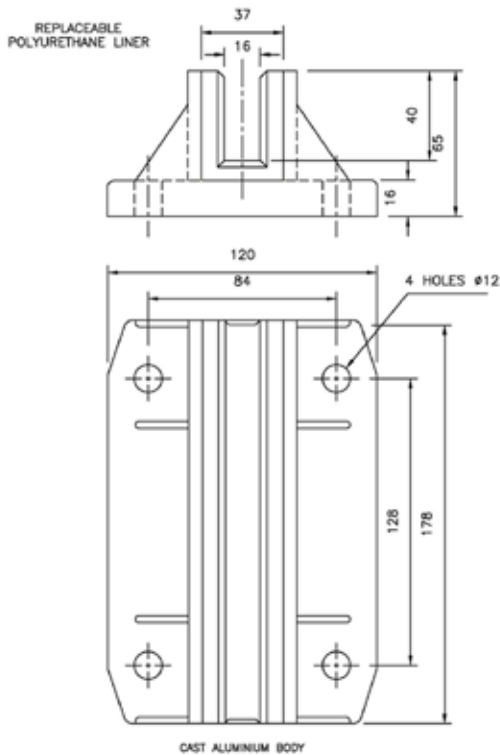


PL0746



PL0743

• Set of 4 shoes suitable for 1500Kg max contract load at 1.6m/s max lift speed



PL07462

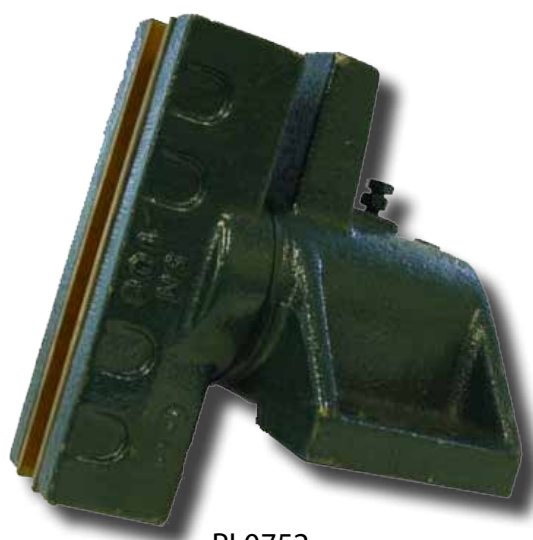


PL07461

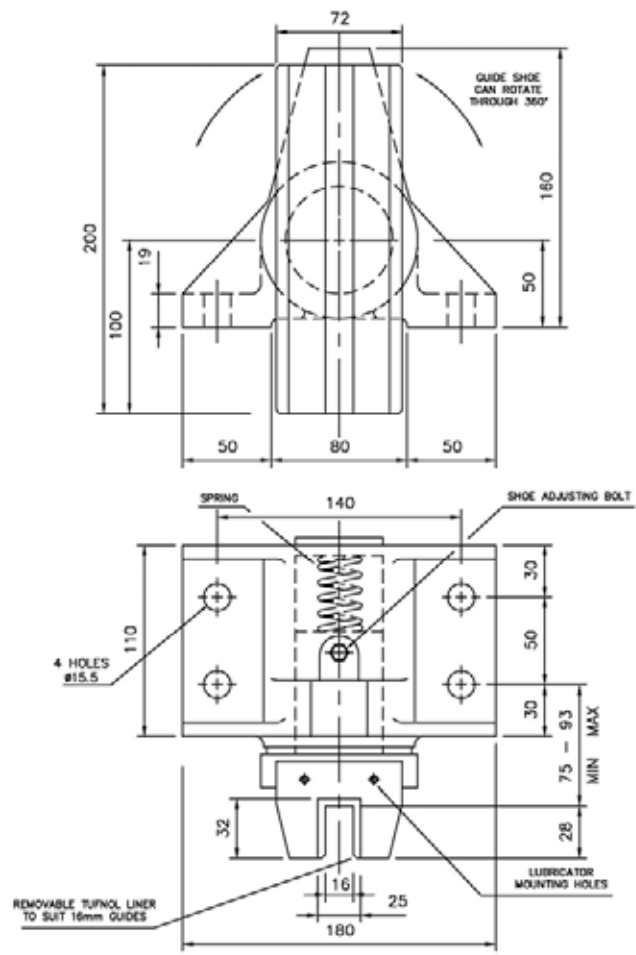
GUIDE SHOES	ILE PART No.
"F" Type Ali shoe	PL0743
"F" Type liner 5/9/10/16 mm	PL0744/745/745A/746/746N
HSML guide shoe	PL07461
HSML liner 16 mm	PL07462

T TYPE SHOES

- T305 Guide Shoe
- Max contract load: 4000Kg
- Available in Bronze



PL0752

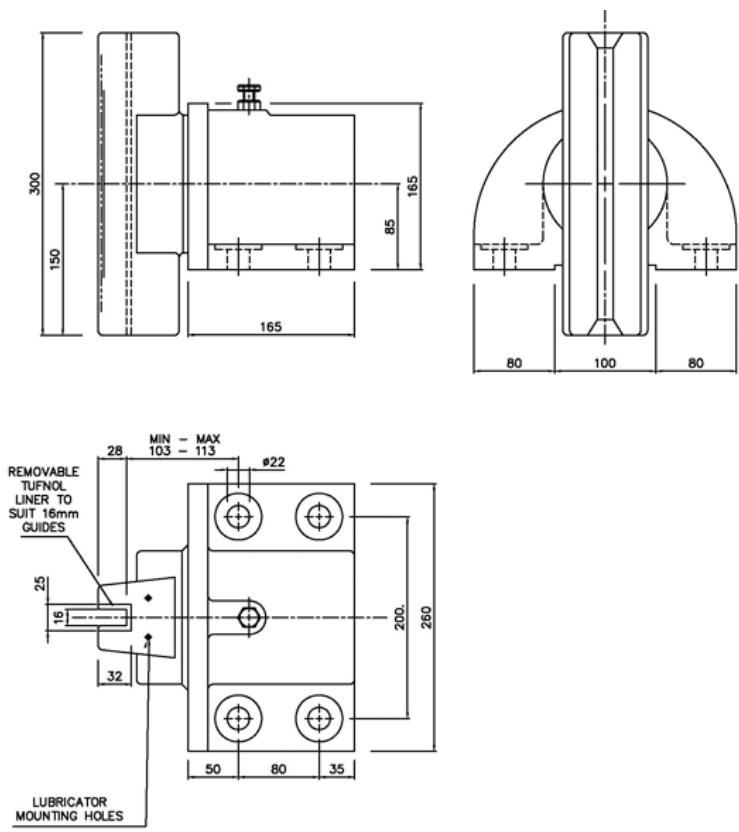


GUIDE SHOES	ILE PART No.
T305 Guide shoe	PL0752
T306 Guide shoe	PL0753
T409 Guide shoe with Plastic Liner	PL0754
T409 Guide shoe with Tufnell Liner	PL0754-TF
T410 Guide shoe with Plastic Liner	PL0755
T410 Guide shoe with Tufnell Liner	PL0755-TF

- T306 Guide Shoe
- Max contract load: 7000Kg
- Available in Bronze

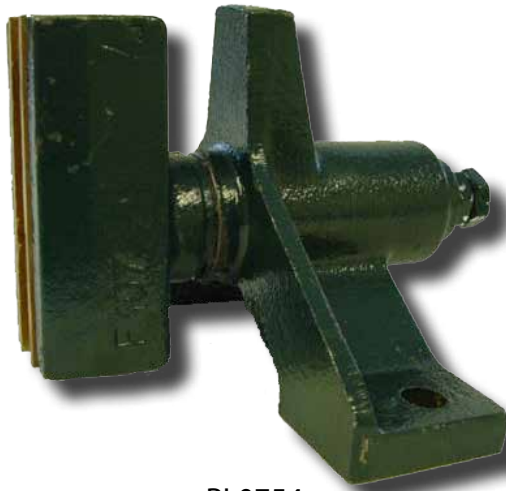


PL0753

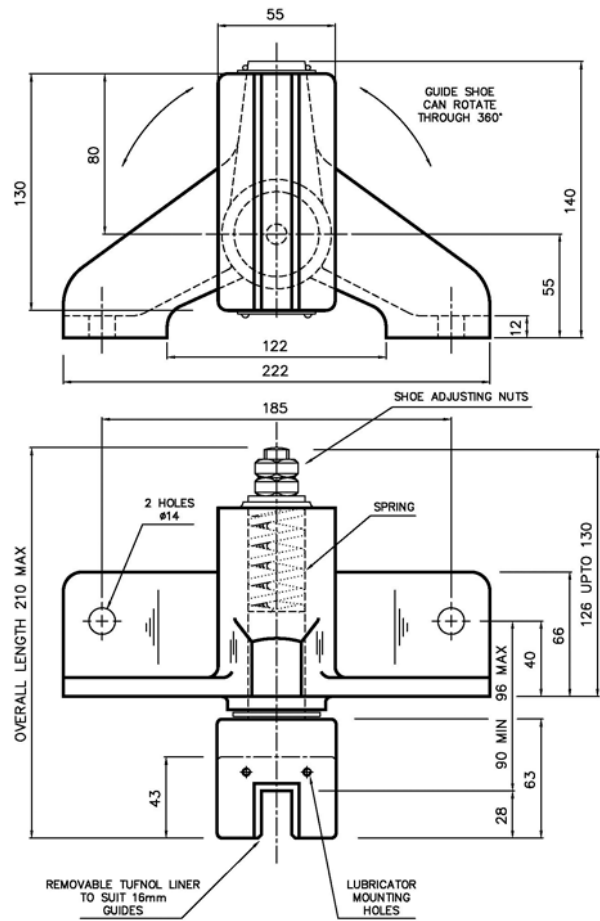


T TYPE SHOES

- T409 Guide Shoe
- Max contract load: 1500Kg
- Available in Bronze



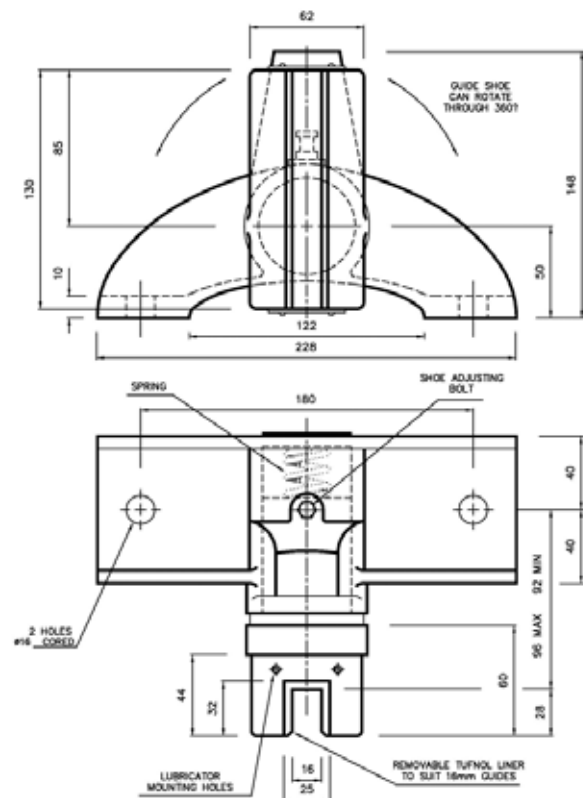
PL0754



- T410 Guide Shoe
- Max contract load: 2500Kg
- Available in Bronze



PL0755

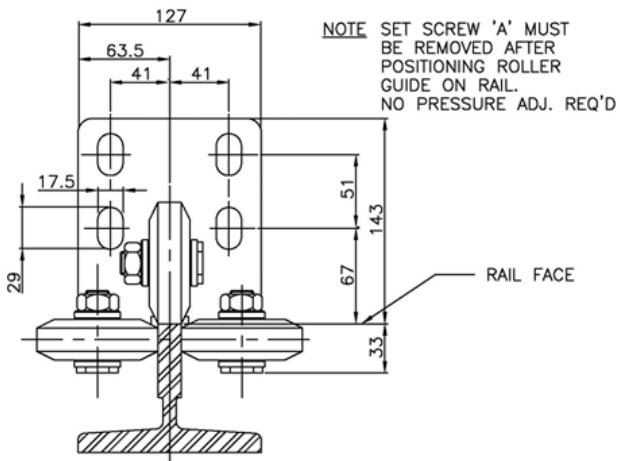
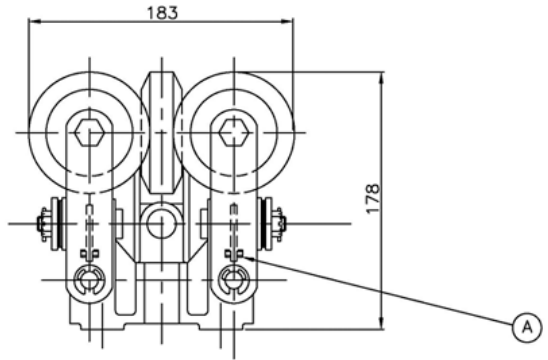


ROLLER GUIDES

HW377 Roller Guide
 When used on car
 • Max car capacity: 900Kg
 • Max car speed: 1.5m/s
 When used on counter - weight
 • Max car capacity: 1800Kg
 • Max car speed: 3.0m/s



PL0762

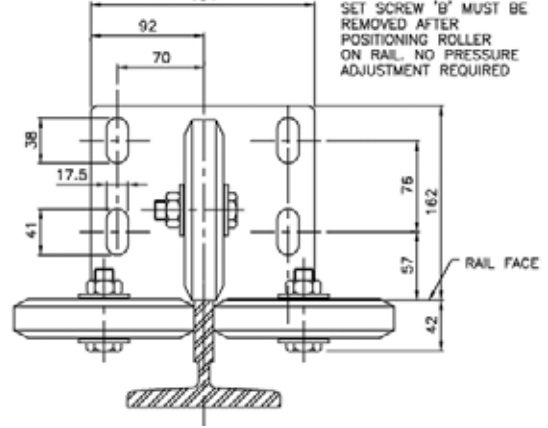
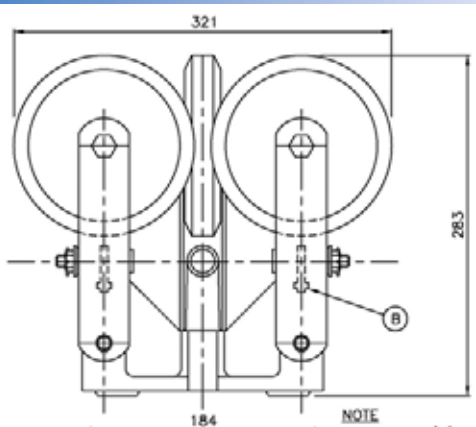


GUIDE SHOES	ILE PART No.
HW roller guide shoe 377	PL0762
HW roller guide shoe 378	PL0763
HW roller guide shoe 379	PL0763B
HW roller guide shoe 380	PL0718x

HW378 Roller Guide
 When used on car
 • Max car capacity: 1800Kg
 • Max car speed: 3.0m/s



PL0763



ROLLER GUIDES

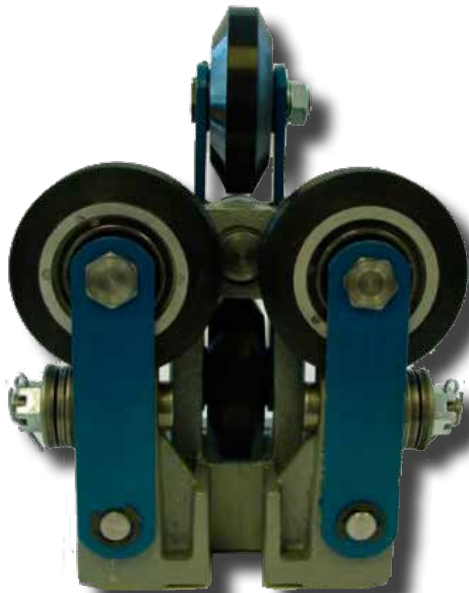
HW379 Roller Guide

When used on car

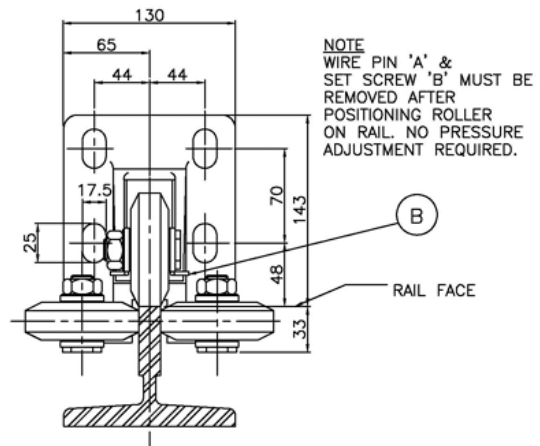
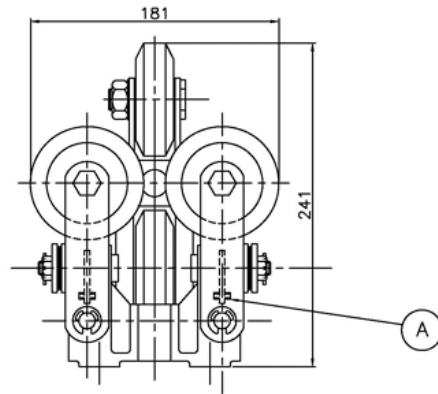
- Max car capacity: 1590Kg
- Max car speed: 1.5m/s

When used on counter - weight

- Max car capacity: 3600Kg
- Max car speed: 5.0m/s



PL0763B



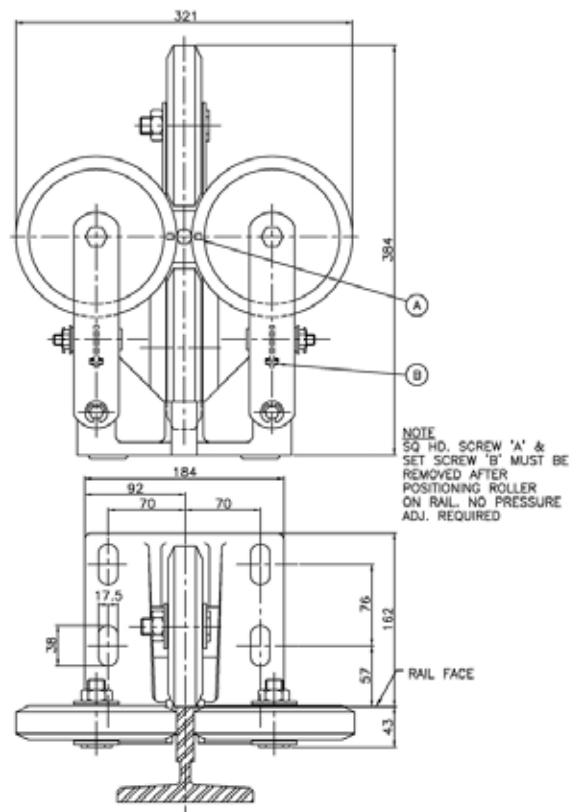
HW380 Roller Guide

When used on car

- Max car capacity: 3600Kg
- Max car speed: 5.0m/s



PL0718x



BUFFERS

- To suit rated speeds up to 2.5mps with range of car + load up to 3000kg
- Supplied in full compliance with EN81
- Certificates available



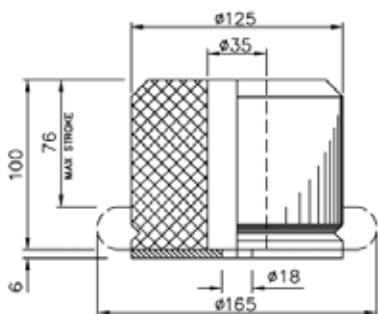
PART No.PL0245



PART No.PL0245B

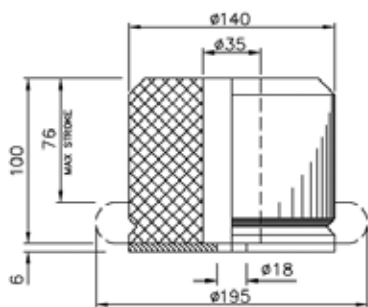


PART No.PL0245D

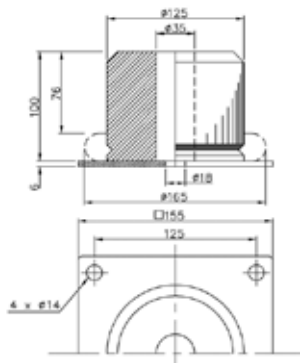


PART No.PL0245

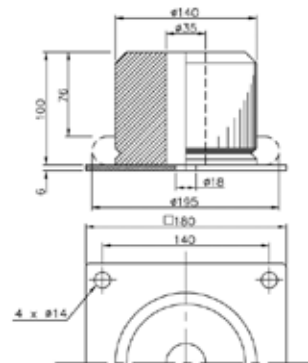
BUFFERS	ILE PART No.
ACLA Buffer (300116)	PL0245
ACLA Buffer (300183)	PL245A
ACLA Buffer (300117)	PL0245B
ACLA Buffer (300148)	PL0245C
ACLA Buffer (300143)	PL0245D
ACLA Buffer (300144)	PL0245E
ACLA Buffer (300147)	PL0245F



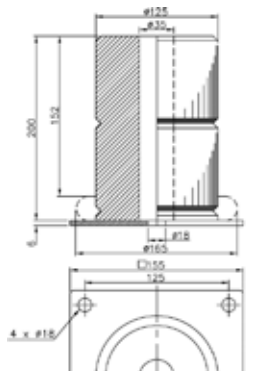
PART No.PL0245A



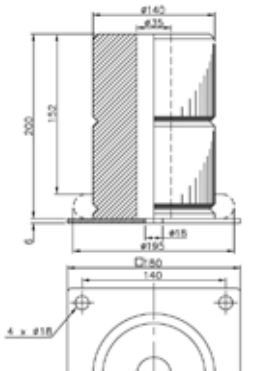
PART No.PL0245B



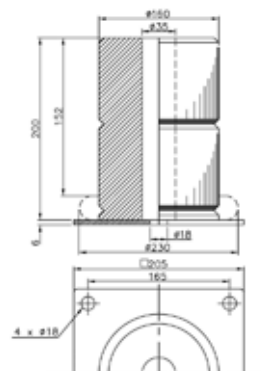
PART No.PL0245C



PART No.PL0245D

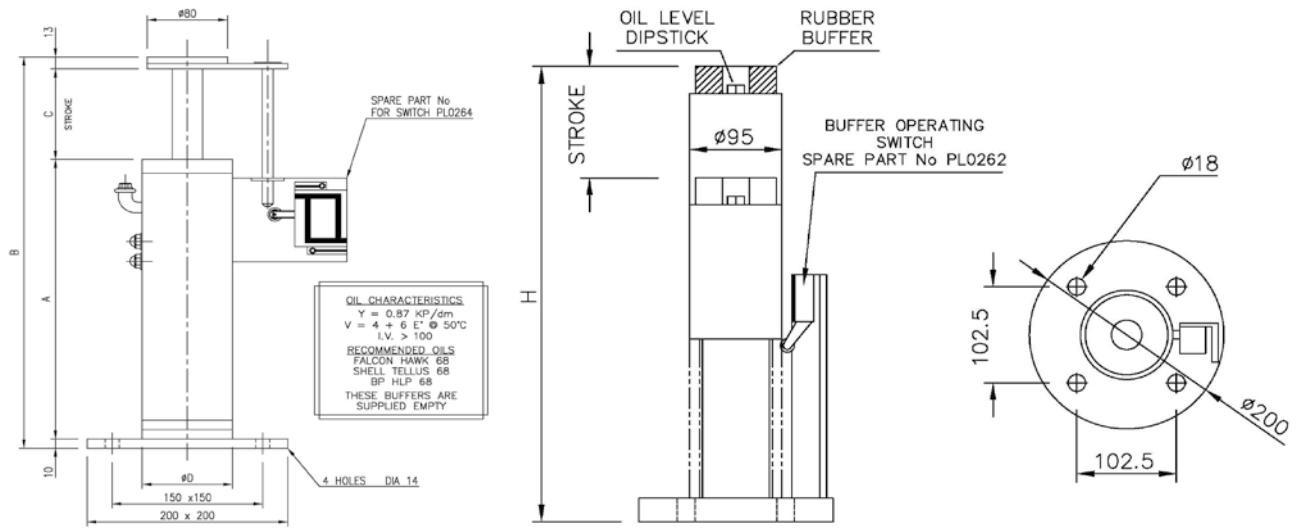


PART No.PL0245E



PART No.PL0245F

OIL BUFFERS



TYPE "A" OIL BUFFER



PL0265

TYPE A	CODE	TOTAL MASS		LIFT SPEED		STROKE	A	B	Ø D	OIL CAPACITY	WEIGHT	ILE PART No.
		MAX Kg	MIN Kg	MAX m/s	MIN m/s							
A 101	G 430010	1000	250	0.85	0.63	105	303	431	90	0.6	16	*
A 102	G 430020	1000	250	1.5	0.9	175	383	581	90	0.9	17	*
A 103	G 430030	1000	250	2	1.5	295	528	846	100	2	23	*
A 201	G 430040	2000	1000	0.85	0.63	105	303	431	100	0.8	18	PL0257
A 202	G 430050	2000	1000	1.5	0.9	175	383	581	100	1.1	20	PL0263
A 203	G 430060	2000	1000	2	1.5	295	528	846	110	2.1	26	PL0261
A 301	G 430070	3000	2000	0.85	0.63	105	303	431	110	1	20	PL0265
A 302	G 430080	3000	2000	1.5	0.9	175	383	581	110	1.3	22	PL0258
A 303	G 430090	3000	2000	2	1.5	295	528	846	120	2.8	30	PL0260

*Non stock items

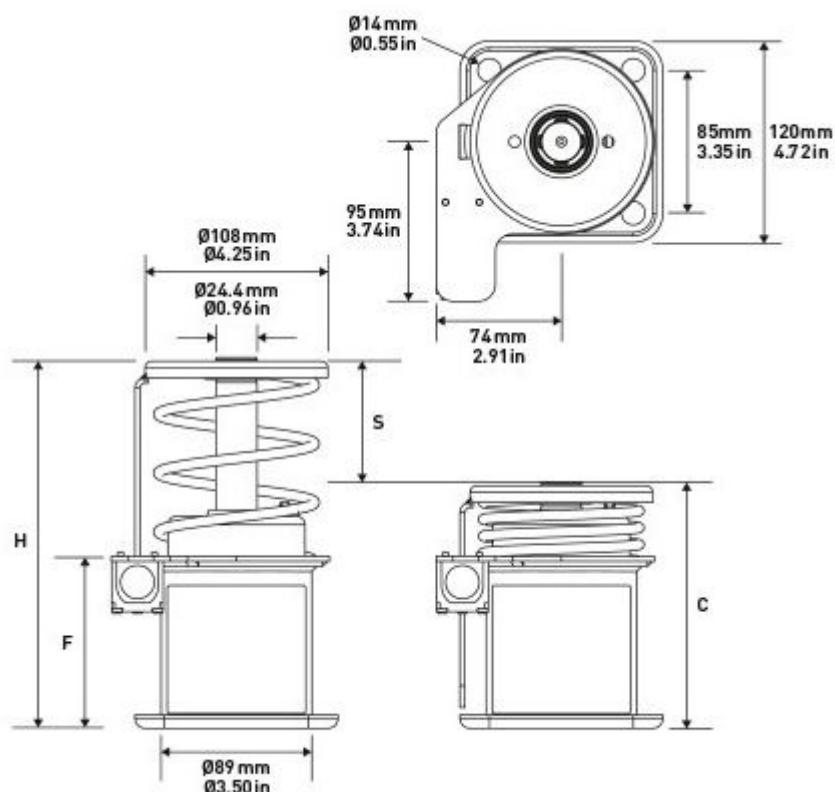
OIL BUFFERS

The LSB oil buffer series is a self contained, maintenance free unit designed for low and medium speed applications. The LSB series is designed to be low cost while maintaining Oleo's recognised performance standards.

Oleo's LSB buffers weigh approx half of a conventional buffer and have a small space envelope, this means that shipping costs are significantly reduced. In addition there is the option to supply the buffers oil filled rather than with a separate container of oil saving valuable time during elevator installation and reducing the risk of errors and spillage.

The LSB series is designed and built according to strict engineering standards and is universally approved and globally certified.

Approved to the requirements of EN81.1, AME 17.1 and Lift Directive 95/16/EC. Approval No. BSI-LB-031



MODEL - LSB 10	ILE PART No.	PL0277
Rated Speed	1.0 m/s	
Maximum Striking Speed	1.15 m/s	
Impact Mass Range	370-2000 kg	
Stroke "S" (min)	73.3 mm	
Height "H" max (extended)	229.9 mm	
Height "C" min (compressed)	146 mm	
Height "F" to reseivour top	102.4 mm	
Weight (No Oil)	3.6 kg	
Oil Volume	0.5 litres	

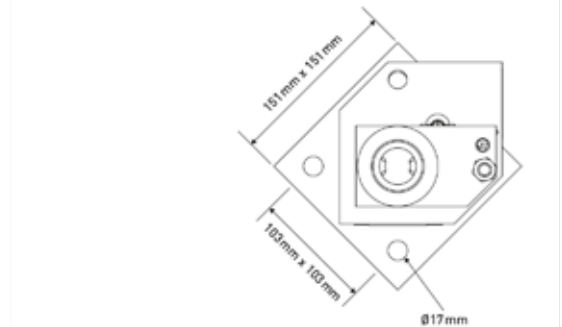
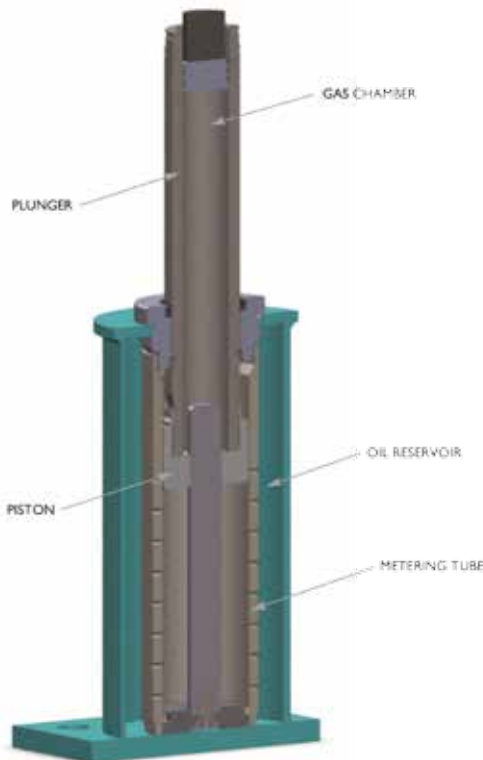
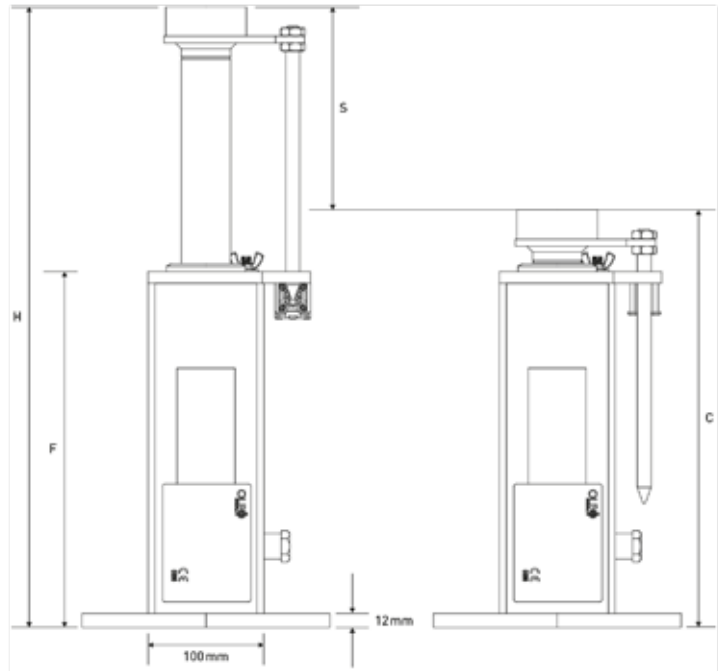
GAS BUFFERS



SEB 16.2 OIL BUFFER

The SEB buffer range has been available for over twenty years with thousands successfully installed around the world. The SEB gas hydraulic buffer series provides a premium robust solution for medium speed applications.

A self contained, maintenance free unit designed to weigh approximately half of a conventional buffer and have a small space envelope. This means that shipping costs are significantly reduced and allows for quick and easy installation. The SEB series is designed and built according to strict engineering standards and is universally approved and globally certified.



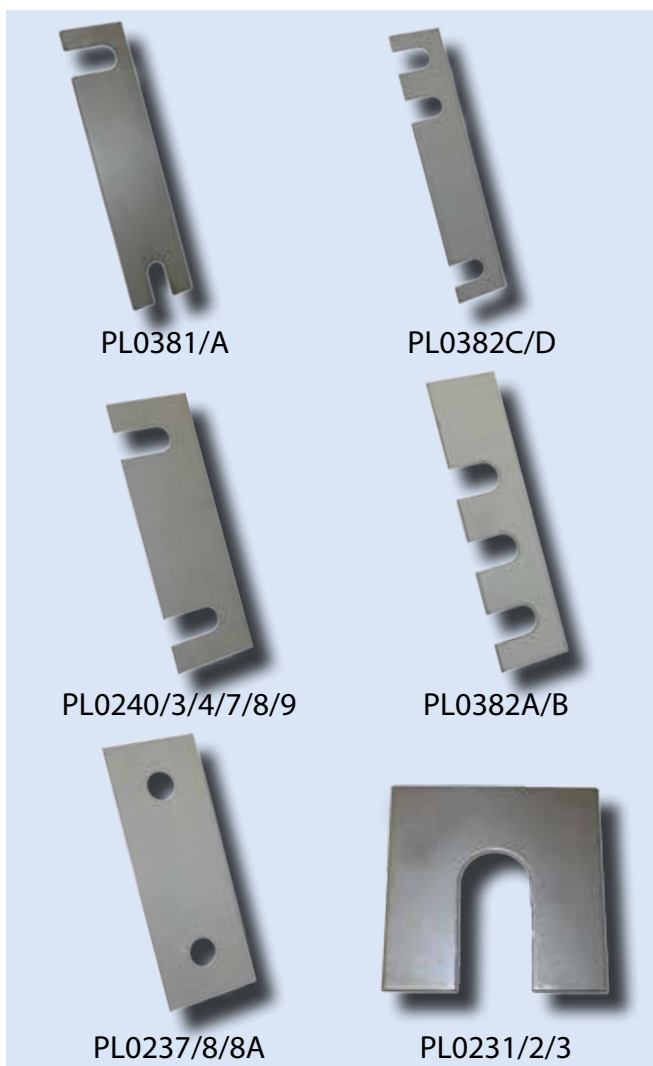
MODEL - SEB 16.2	ILE PART No.	PL0276
Rated Speed	1.6 m/s	
Maximum Striking Speed	1.84 m/s	
Impact Mass Range	450-4545 kg	
Stroke "S"	173 mm	
Height "H"	536 mm	
Height "J"	306 mm	
Unit Weight (less oil)	11.2 kg	
Oil Volume	1.45 litres	

SHIMS & PACKERS

- Various guide packers in stock to suit common standard guides
- Packers available for GAL equipment e.g. clutch, hanger, track etc

SHIMS	ILE PART No.
Trouser shim 2.5sq 20SWG	PL0231
Trouser shim 2.5sq 16SWG	PL0232
Trouser shim 2.5sq 10SWG	PL0233
Trouser shim 2.5sq ¼ inchSWG	PL0234
Shim U.K door shoe 1.2 mm (ST/ST)	PL0234A
Keeper plate T89 1.0 mm	PL0237
Keeper plate T70 1.0 mm	PL0238
Keeper plate T127 1.0 mm	PL0238A
Shim T89 1.0 mm	PL0240
Shim T89 1.5 mm	PL0243
Shim T70 1.5 mm	PL0244
Shim T70 1.0 mm	PL0247
Shim T127 1.5 mm	PL0248
Shim T127 1.0 mm	PL0249
Sheave shim 20SWG 1.0 mm	PL0381
Sheave shim 10SWG 3.0 mm	PL0381A
"A" sheave horse shoe shim 0.75 mm	PL0382E
"A" sheave horse shoe shim 3.0 mm	PL0382F
F Type Shim to suit F Type Guide	PL0743-SHIM

PACKERS	ILE PART No.
Landing hanger packer 6 mm	PL0382
Landing hanger packer 3 mm	PL0382A
Landing hanger packer 1.5 mm	PL0382B
Clutch packer 16 SWG	PL382C
Clutch packer 10 SWG	PL0382D



CONTROL SWITCHES	ILE PART No.
Pit stop switch MEM	PL1104C
Isolation switch	PL1104A
Fireman's switch	PL1111
Evacuation switch	PL1111A
Firefighter switch	PL1114

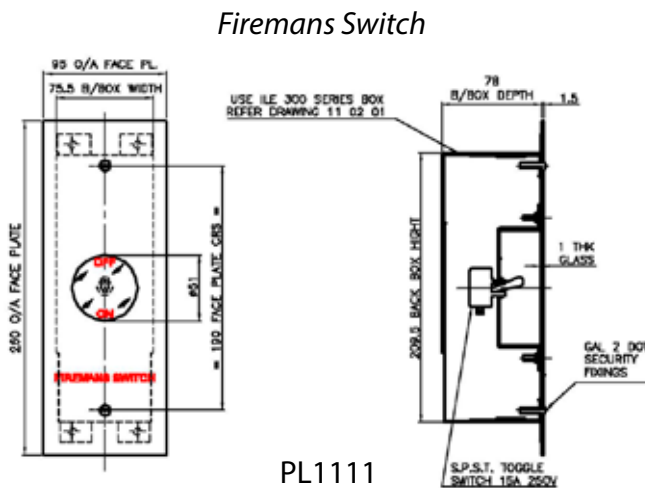
- Pit switches and firemans switches available from stock
- Special designs available to order



PL1111



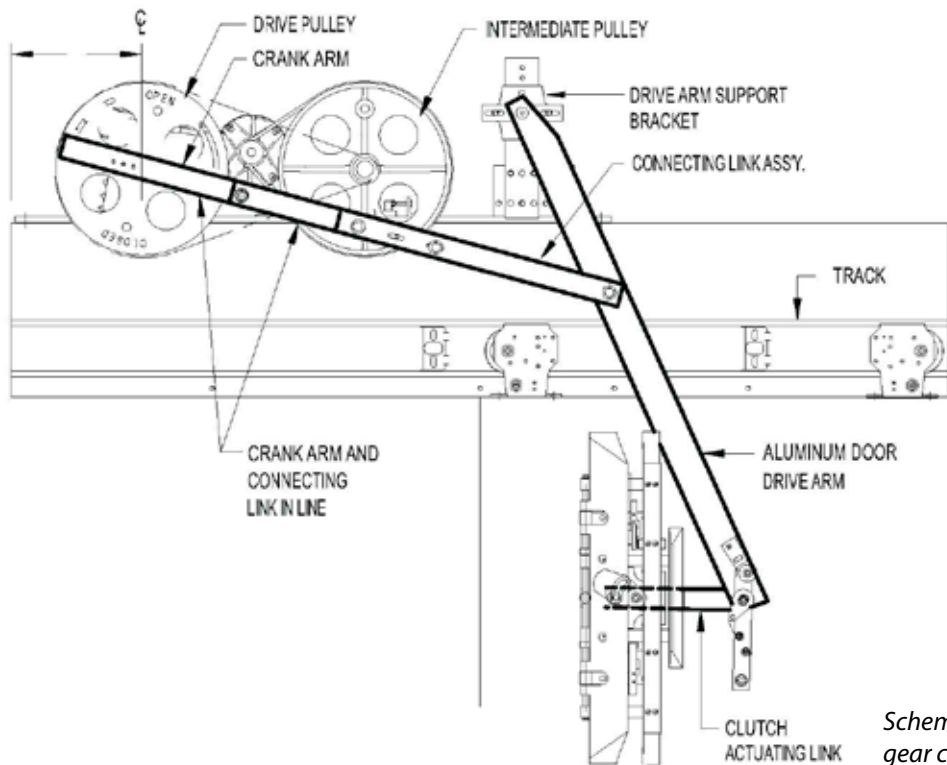
PL1104C



PL1111

DOOR OPERATORS-GAL

GAL produces an extensive line of vandal resistant door equipment that has been designed and manufactured to ensure safe and reliable use for years to come. Whether you are installing the equipment on a new system, or completing a modernisation program, GAL has a door system to suit your needs.



Schematic of main GAL door gear components

Features

- Parameter unit
- Capable of holding 5 complete sets of parameters
- Contractors can store one working set and all 4 GAL defaults.
- Optional heavy door input
- You can now comply with the kinetic energy requirements found in the ASME A17.1-2000+ codes and still maximise door performance

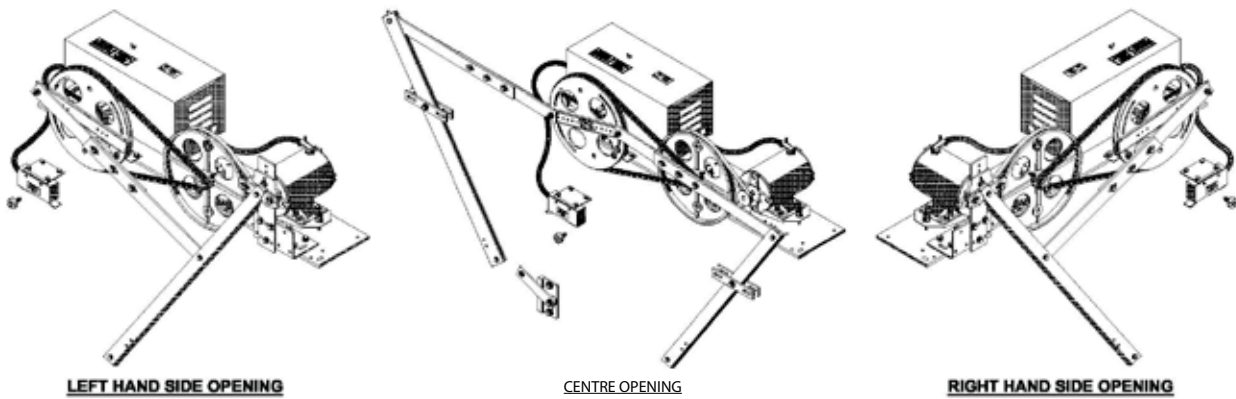
- Automatic adjustment for wind and door conditions
- Keypad programming for all speeds, torques, acceleration and deceleration allowing for complete controllability
- Download all operating parameters from one operator - upload them to another
- Incredibly fast and easy fine tuning especially on multi-car banks
- LED indication of all inputs and outputs

- Mechanic friendly
- Eliminates time spent trouble shooting
- LED indication of every speed zone during open and close cycles
- Test switches for open, close and nudging allows testing of mechanical set-up before running on automatic

DOOR OPERATORS-GAL

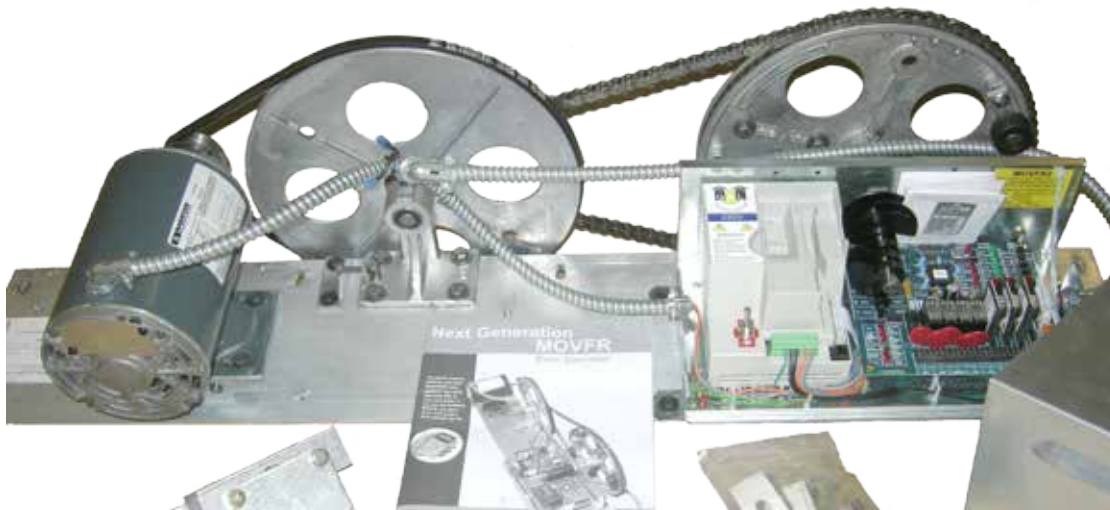
- Only 3 inputs required - door open, door close and nudging (optional input for "heavy door")
- Minimise wiring time
- Universal voltage inputs will accept from 24-300V AC or DC or a dry set of contacts
- Can adapt to the output of virtually any elevator control
- Perfect for modernisation
- Water-resistant models available
- Control encased in gasket housing
- Motor rated for "wash down" duty
- Water-resistant grommets for all wiring
- Heavy duty 1/2HP motor, 230V AC single phase motor speed able to handle any application
- Non-contact optical couplers (available with a spare for extra functions)
- Eliminates mechanical cams and electrical contacts
- Substantially lowers routine maintenance
- This is the fastest, easiest, quietest and most dependable door operator ever available from GAL, now more than ever

If you are not installing MOVFR, you won't know how good a door operator can be



Schematic showing available door hands

Doors and conversion packages are available. Please contact our sales office for further information. We also offer HA, Zone Locking and Spring Unlocking options.



Gal MOVFR Door Gear

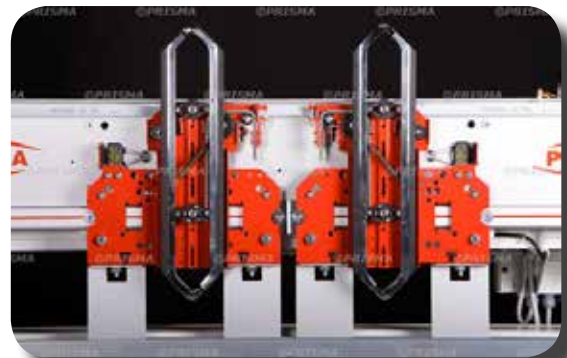
DOOR OPERATORS-PRISMA

Prisma are a renowned high quality manufacturer of lift components and accessories. Their car and landing doors and mechanisms are the ideal solution for lift modernisation across a large range of varying applications.



Micro

- The MICRO car operator is the most recent result of the research and development activities carried out by PRISMA and it has been designed to comply with the new standards regulating machineroomless elevators.
- Thanks to its reduced overall dimensions (the space occupied corresponds to the sill thickness), the operator is fitted to the car front wall and therefore it doesn't project onto the car roof.
- The DC motor equipping the MICRO is controlled by the "FOX" electronic regulator. The system is powered with single phase current 230 V.
- The specific characteristics and the versatility of the MICRO, the possibility of using the Mini Sill system (sill with reduced overall dimensions, 25 mm for each sliding groove), the complete opening range for 2, 3, 4 and 6 panels, the absence of limit switches, its light weight and a prearrangement for opening in case of a power outage; all these features make the MICRO the ideal operator for modernising existing lifts.



Micro car door operator

Sinus D.O.S. And Linear D.O.S.

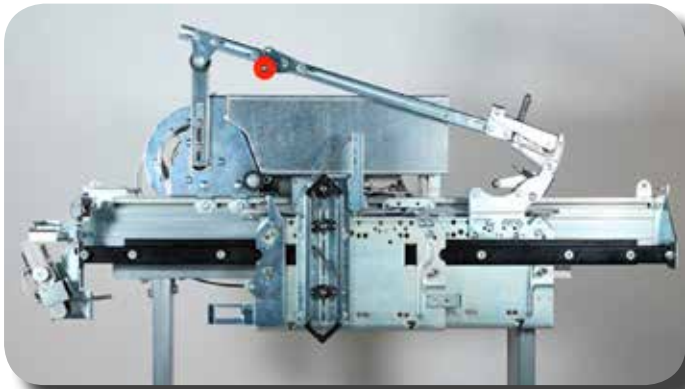
Sinus /Linear D.O.S. offer three levels of robustness depending on the lift traffic and on the weight of the door panels:

- Slim: Suitable for standard traffic and light duty lifts. The sliding rollers have a standard diameter. The maximum weight for each panel is 30Kg
- Medium: Sliding rollers have a bigger diameter (67 mm). The maximum weight for each panel is 38Kg
- Large: Suitable for large, clear openings and heavy door panels. Besides the large sliding rollers, it is provided with reinforced top tracks. In the standard version the maximum weight for each panel is 60Kg. On request, a special version is available suitable for 90Kg panels

DOOR OPERATORS-PRISMA

Sinus D.O.S.

Sinus D.O.S. is an arm - driven operator with a 3-phase 415VAC motor. Speed control is harmonically mechanical via the door arms. To prevent problems associated with arm drive units such as rebound, Prisma resolved the problem by using a chain traction system which enables the driving roller, assembled on the arm, to operate tangentially on the chain, thus improving the system silence.



The chain, in its turn, develops a diagonal reaction force (not vertical), therefore, with no effect on the roller, avoiding rebounding.

Features

- New coupling cam to remove effects of rebounding.
- New innovative trucks: they are not manufactured with simple flat plate, but they have a bottom double bend. Such a structure enables an adequate anchorage of the panel fixing bolts and gives more stiffness to the truck/ panel system.
- New panel fixing bolts: it is very easy to fit them in and their adjustment is wide in any direction.
- "Free" fixing on the top of the cabin: the two rear grooves of the operator support allow the horizontal "sliding" of the fixing brackets and offer an high flexibility for the position.

Linear D.O.S.

Linear D.O.S. is a belt-driven operator with a brushless motor and electronic control.



Features

- Brushless motor (no maintenance required) is particularly suitable to obtain great torques for a few seconds and for automatic doors
- An encoder
- Jaguar drive -17 adjustables to allow setting for optimum performance. It is possible to adjust separately all speeds during opening and closing phases; acceleration and braking ramps during closing and opening phases; torque and safety device values for closed and opened door
- The system is supplied with preset standard parameters established by Prisma. The set-up parameters can be changed with a programming pad supplied on request. Limit switches are not required since the open and close positions of the doors are automatically learnt

DOOR OPERATORS - PRISMA

SYSTEM 115

The system (car door with MICRO MS40 operator and Serie Q50 landing hanger) is called 115 System and is a new PATENTED space-saving concept: it is the ideal solution for modernisation, because it can even be used for old installations with manual doors and limited shaft depth and width.



Micro MS40 car door operator



Serie Q50 landing door hanger

- The characteristic quality of the MICRO MS40 car door operator is the stiffness of the trucks combined with the overall place requirement of the sill reduced to 40 mm.
- The overall dimension for the "landing hanger + car door" sill set of a 4-panels centre parting door is 115 mm.
- The specially designed coupling system of the panels makes for an easy adjustment while still retaining stiffness of the structure.
- Both the car door and the landing door can be supplied in SYMMETRIC or ASYMMETRIC execution
- Very convenient for old installations with manual doors and limited shaft depth.
- High toughness and strength despite panels reduced thickness.
- Landing mechanism Serie Q and car operator Micro MS40 share the same components of the standard Serie Q and Micro range (no new items to be added to the spare parts stock).
- Micro operator with toothed belt transmission, DC motor and Fox electronic regulator (single-phase 230 V operated).

QKS8 and QKS9 SERIES

Landing and car doors mechanisms for the modernisation of existing QKS8 and QKS9 Hangers and car door operators.

PRISMA company has recently introduced into its product catalogue the mechanisms for the refurbishment of Schindler doors to meet customers' demand for the modernisation of elevators provided with such a kind of door.



QKS Serie



QKS9

In particular, with reference to the car door operator, at least two solutions are available:

The first one concerns the application of the coupling cam on car door panel. The coupling cam here represented has an asymmetrical movement enabling the coupling with rollers that do not have an equidistant centre of symmetry from coupling rollers, but one roller being more distant than the other one.

The second solution concerns an operator where the coupling cam has standard dimensions in length and is assembled on the car operator, but having a specific shape in order to enable the coupling with asymmetrical landing door rollers. In this case the replacement of the car door operator is very easy.

DOOR MODERNISATION - PRISMA

KIT M1 -M2 - M3 comes from many lift installers requiring the refurbishment of old lifts with the replacement of existing swing doors with fully automatic ones.

Usually during the refurbishment operation, a third company (building contractors) is charged with masonry (disassembly of the existing doors and wall restoration once the new automatic doors have been assembled). This represents an important cost which could also be increased due to further structural work being required.

KIT M1 is the result of the experience of engineers that have been studying automatic doors for lifts for 25 years, combined with the experience of their customers giving important suggestions and judgments.



Kit M1 Swing door replacement kit



Kit M1

KIT M1 allows a complete replacement of an old swing door, whilst maintaining the existing door frame: for that reason the building contractors are not needed any more. The lift company will do all the work on their own and will be able to advise its cost and lead time.

The system can be applied to any type of existing door entrance, made of simple plate or wood or plate filled with cement. Even if the existing frames are not aligned or the side posts are not parallel or partially separated from the wall, it would not be a problem!

The system is very easy: in the relevant manual all phases are described and supported with pictures. Such a manual is always supplied along with KIT M1.

The users of the system have confirmed that for the complete replacement of one landing door, 2 hours are required.



Kit M1 Fixings

LANDING DOORS - PRISMA

Panels can be manufactured in many different executions: from the full glass version up to stainless steel coated and coloured.

The car door operator is the most sturdy and technological component of such a door.

Panels are designed upon specific requirements of the customer since they depend on cabin and shaft radius.



Every detail has been studied and carefully analysed in order to obtain the best performance.



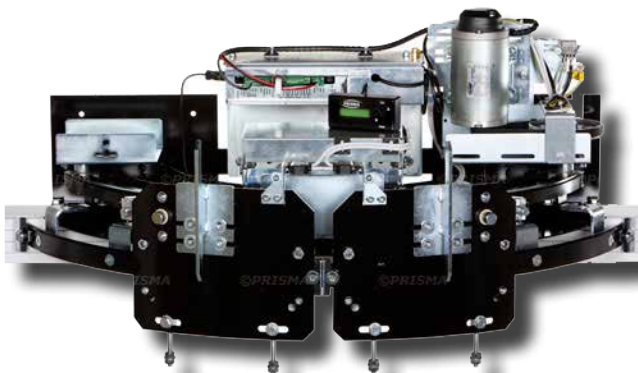
Panel movement is controlled by an electronic device (DRIVE) with variable parameters.

The DRIVE device can also carefully control acceleration and deceleration curves of the door according to customer and installation needs.

All parameters are pre-adjusted at Prisma, nevertheless, once the installation is completed, the customer can take advantage of maximum flexibility in adjustment.



Round doors



Drive unit

In case panels are very heavy, e.g. full glass panels, it is possible to control the torque and deceleration curve so that a smooth movement during closing and opening phases is always assured.

The control is made with a programming pad for drive software.

With such a remote key it is possible to select a parameter and change its value, after that new data can be memorised in the control system.

LANDING DOORS - PRISMA

The Carina landing door is a highly standardised product, introducing new concepts of construction and assembly on site.

The Carina door is designed and constructed to a high technological standard but offers a "low cost" solution.

FEATURES

- Fire resistance certified to EN81/58 (E120)
- TÜV certified
- Available in galvanised, fire painted stainless steel (coated with transparent P.V.C protective film) and stainless 304 grade
- Noiseless due to high performance sliding door shoes
- Easy-assemble system

Frame Sizes

Free passage PL
700 to 750 - 800 - 850 to 900 mm
Headroom LH 2000 - 2100 mm

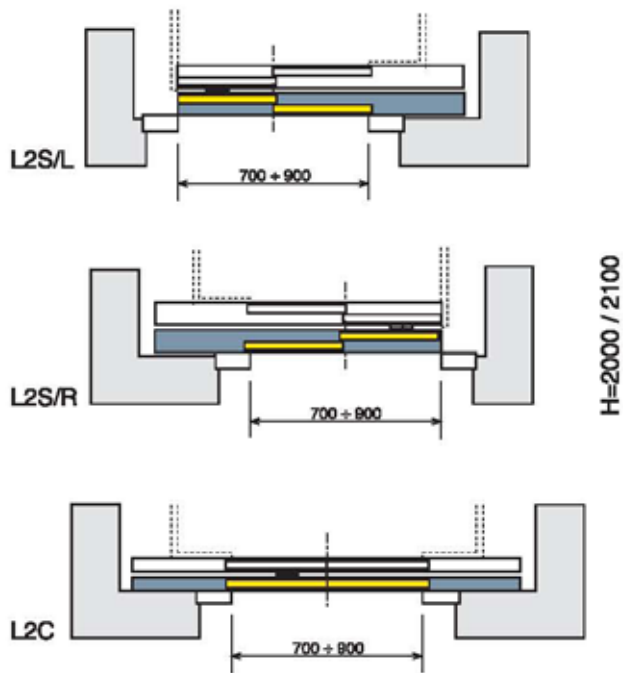
Upright width 120 mm
Height upper crosshead 235 mm

Type L2C - Centre opening

Dimension of frame + threshold
frame 80mm + threshold 37.5mm = Total 117.5mm

Type L2S/RL Telescopic door

Dimensions of frame + threshold
frame 60mm + threshold 75mm (90-15)=Total 135mm



Components are partially pre-assembled in the packaging, and arranged in sequence, in order to facilitate mounting on site. This task is simplified further by a book graphically illustrated with all the various stages of assembly.

Each phase is numerically associated with a bag containing screws and components for the assembly of the phase in question.

The installer can perform the assembly:

1. In the lift shaft. An engineer should be able to install and adjust 5/6 doors per day.
2. On the landings prior to mounting within the entrance.

LANDING DOORS - PRISMA F22



Landing Doors type F22

F22

2000 x 800mm Two Panel Side Opening or Two Panel Centre Opening Door panels

Finish either Primed or Satin Stainless steel
Fire Rated

Complete landing door comprising of:-

- Landing door mechanism in slim profile with hangers, EN81 lock, release and self closer.
- Aluminium sill complete with door shoes
- Galvanised Toe guard (300mm) and sill support brackets
- Door supplied un-assembled



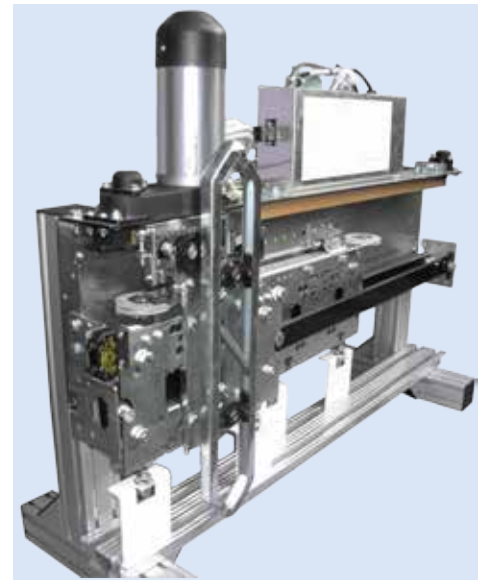
Car Door Type MICRO/AP

2000 x 800mm Two Panel Side Opening or Two Panel Centre Opening Door panels. Finish either Primed or Satin Stainless steel

Complete Car door comprising of:-

- Toothed belt driven car operator, slim profile, with DC motor and FOX drive (230VAC single phase supply), with emergency re-opening and battery with charger system. (batteries extra)
- Fixing brackets for car roof (part no. 780 000 M233)
- Aluminium sill complete with door shoes
- Galvanised toe guard (750mm) and sill support brackets

MICRO AP



Optional extra's

FOX Drive programming keypad

Batteries for emergency operation

Car door locking device between floors

Brackets for fixing on cabin roof, part no. 780 000 M121

Brackets for fixing on front of cabin, part no. 780 000 M126

Brackets for fixing on front of cabin, part no. 780 000 M127

Operator WITHOUT MOBILE coupling cam (semi-automatic)



PRISMA MEGA DOOR OPERATOR



The Serie MEGA project is the answer to the request of high-performing products for use in extreme conditions, with considerable opening dimensions, heavy panels and high intensity of use.

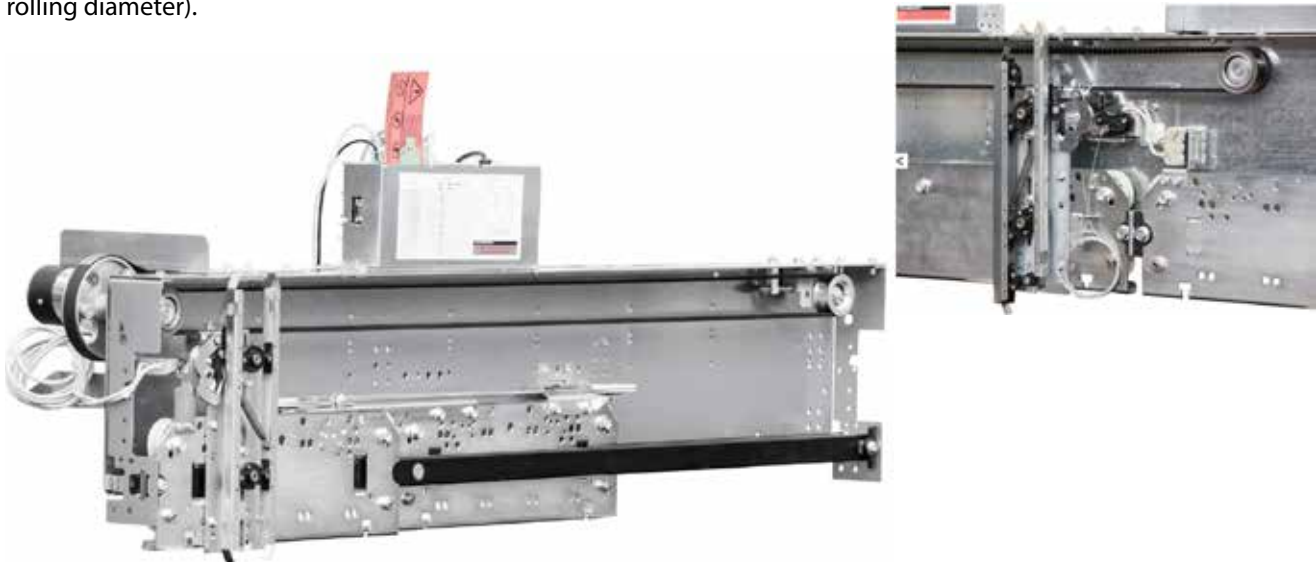


The new project has been developed for high-speed and heavy duty elevators, with large clear openings and very heavy panels up to 200 kg each. The Serie MEGA is the only door in the world equipped with truck sliding rails with a 14 x 70 mm thick section, with 90 mm big sliding rollers full of bearing balls for supporting heavy panels and a simple but state-of-the-art system for continuous cleaning of the rollers.

PRISMA MACRO DOOR OPERATOR

The Serie MACRO car door operator meets the requirements of use in the high-traffic elevators. The harmonic and noiseless movement, even with high opening speeds, makes the Macro the perfect operator even for the most challenging conditions.

The MACRO Series car door operator replaces the Linear DOS model. It is very robustly built and Medium sized sliding roller are installed as standard, while Large rollers are used for heavy panels. Both rollers have a 67 mm diameter (64 mm rolling diameter).



Transmission is toothed-belt driven with an 8 mm pitch, which is perfectly suited to very heavy panels. The motor is a 200 W direct current motor, 24 Volt powered.

In light of the high reliability of the Fox Drive, proven through years of use on our MICRO car door operator, the new MEGA Series is also equipped with the same kind of drive (FOX 200), which has been enhanced for the 200 Watt motor.

GALAXY CAR & LANDING DOOR PACKAGES

After successfully passing the Building Research Establishment fire test in Watford, the ILE Galaxy Landing Entrance package is now certified as 2 hour fire rated, giving testament to ILE's advanced R & D design within the lift industry.

- **Designed in accordance with EN81- 58 E120**
- **Designed in accordance with EN81- 20:2014**
- **Designed and bag tested in accordance with EN81-71, Cat 2, Annex J**
- 2 Hour fire rated
- ILE Galaxy Door Package consists of landing door, goalpost frame, architrave and bronze or aluminium sill
- Enhanced strength and reliability are built in
- Single or two panel side opening
- Variable opening and door frame dimensions:
 Door opening width = 610-1040mm Single Panel
 Door opening height = 2000-2300mm Single Panel
 Door opening width = 770-1430mm Double Panel
 Door opening height = 2000-2300mm Double Panel
- The door is fitted with a flush skin on the shaft side
- The door is filled with fireproof insulation
- Both 304 & 316 grade stainless steel available
- With or without vision panel (Tested with vision panel)
- Specifically designed to operate with GAL door equipment



- Designed around the well proven GAL doorgear, the modular design provides a compact unit with classic lines
- Manufactured from high quality primed Zintec steel sheet suitably ribbed, then skinned in stainless steel to customers requirements, the packages present a robust unit.
- Available with standard aluminium sill or phosphor bronze
- Doors are normally prepared for GAL drop flag lock release. However, preparation can be extended to triangular euro lock or clients' bespoke arrangement
- A choice of finishes are available upon request ranging from plain/patterned and coloured stainless steel



Euro release lock

Single panel doors and frames available in full compliance with EN81-71 (Cat 2) vandal resistant lifts

GALAXY CAR & LANDING DOOR PACKAGES

- The folded box section frames carry all fixings for top tracks and locks with doors arranged for nylon door slippers, pick-up rollers and closers
- Both fire certified and standard non fire rated entrances are fully adjustable for door to post clearances and are set up to give 3mm clear on fire certified and 6mm clear on non certified doors
- For ease of transportation/site access, frames are supplied disassembled for assembly on site
- Compatible car door packages are available complete with sill nosing, support angle and apron
- Doors can be prepared to receive any requested safety edge either mechanical, proximity or infra-red
- A full range of car and landing door panels can be manufactured to suit most replacement requirements including heavy construction, vandal resistant designs
- Full depth 1.5mm stainless steel architraves, wrap around design on front wall with all necessary fixing brackets
- Both technical and site back up are provided upon request



KEY FEATURES

- Designed in accordance with EN81- 58 E120 & EN81- 20:2014
- Competitively priced
- Modular construction for ease of assembly
- GAL equipment compatible
- 2 hour fire certificate to BS476 up to 1300 mm x 2200 mm clear opening for centre parting and 2 panel side opening
- 2 hour fire assessment for centre parting 1400 mm clear opening
- 2 panel side opening 1400 mm
- 2 speed centre parting (4 panel) up to 1650 mm x 2100 mm
- 1.5 hour fire assessment for single panel side
- Double panel door opening width = 770-1430mm
- Double panel opening height = 2000-2300mm



A typical hospital landing layout including landing doors, frames architraves, push buttons and LED indicators.

ILE can offer bespoke solutions to suit specific customer requirements. Whether this includes a full door package including doors, frames and architraves or individual installation components to allow the retaining of existing doors.

LANDING DOOR LOCK SECURITY DEVICE

This locking device has been designed in accordance with EN81-71 vandal resistant lifts. The system is designed to give compliance to the requirements for a category 2 lift.

This can be incorporated into ILE door packages or retrofitted to any GAL landing door lock. As the system acts on the lock, the position of the lock is irrelevant.

The system is designed to prevent un-authorized opening of a landing door via the door release key at any floor where the lift is not present.

In the example shown below we are using the Express drop flag type door release but the system will work with any of the normal release mechanisms including the triangular Euro release and the GAL drop flag type.

The system uses a 24VDC, continuously rated electromagnet to prevent the landing beak being raised unless the magnet is de-energised. The de-energising of the magnet is achieved by a reed type proximity switch, a magnet on the lift car, to monitor door zone.

The control panel for this system would be mounted within the lift machine room or in the case of a MRL type lift, mounted in the emergency rescue panel.

This vandal proof system operates on the principle that it can be disabled by a lift engineer entering the motor room and pressing the locking security device disable button.



System Control Box



Device shown in situ mounted on the beak lock

The system will automatically re-activate after a pre-set time period. EN81-71 calls for this time period to be adjustable between 30 and 60 minutes or manually reactivated via the same button on the controller.

Inputs into the control system allow the security of the device to be disabled via inspection control and contacts from the emergency stop buttons.

The whole system is backed up via a 24v battery pack for a period of two hours on mains failure as required in EN81-71.

LANDING DOOR LOCK	ILE PART No.
Control Box	EINT2LLSB15
Left Hand Lock (Inc Gate Lock)	EINT2LLSL15
Right Hand Lock (Inc Gate Lock)	EINT2LLSR15

DOOR SHOES

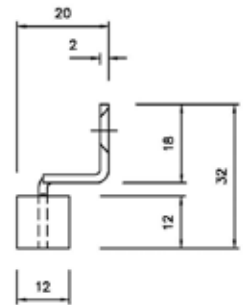
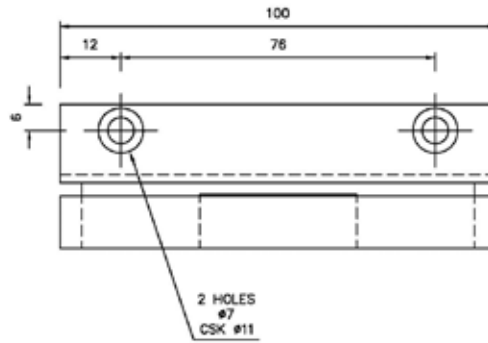
DOOR SHOES	ILE PART No.
U.K door shoes 76 mm centres	PL0373
Door shoes DW2	PL0374
Door shoes DW3	PL0375
Door shoes DW4	PL0376
Door shoes DWR2H-2	PL0377
Door shoes DL2	PL0378
Door shoes DL3	PL0379
Door shoes DL4	PL0380
Selcom butterfly shoe	SL-305 SHOE
Galaxy Fire Door Shoe	PL0373A



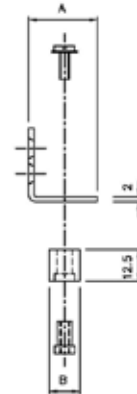
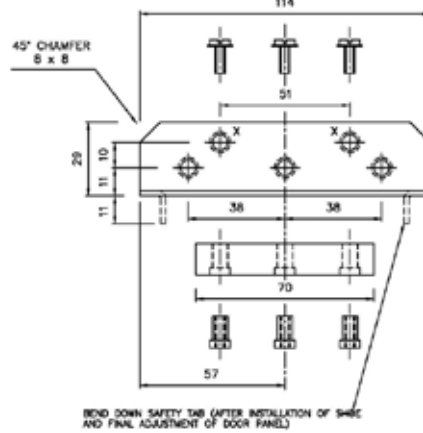
SL-305-SHOE



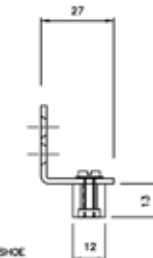
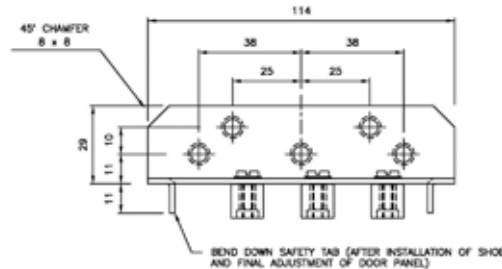
PL0373



PL0374

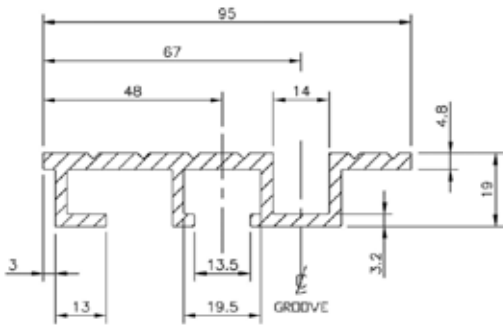


PL0377

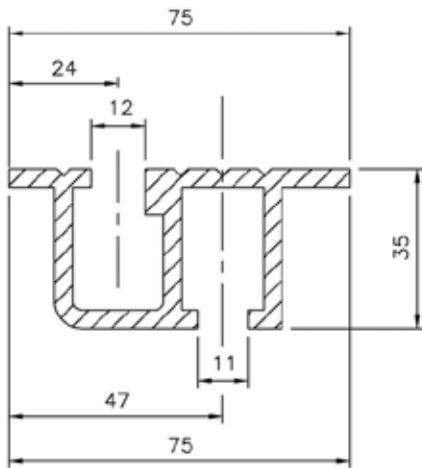


BOTTOM TRACKS

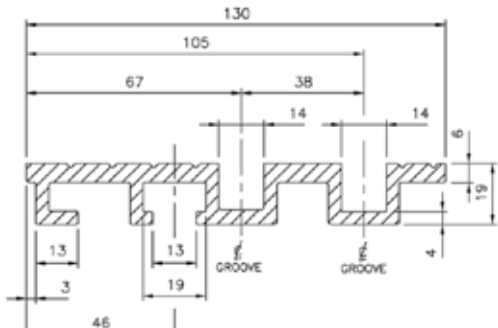
- Single and double groove extrusions available up to 3 metres in length from stock
- Available in aluminium or phosphur bronze



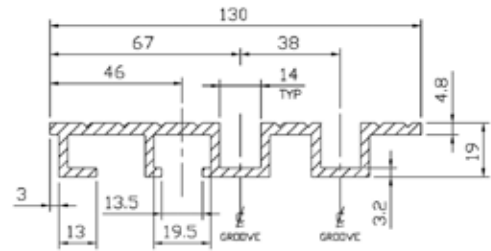
PL0371



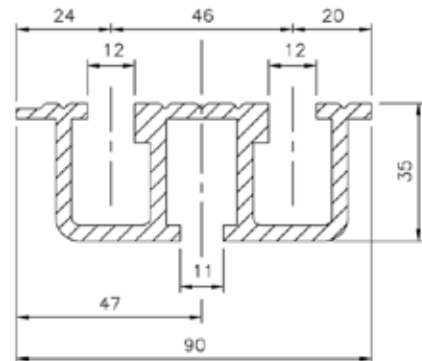
PL037S1



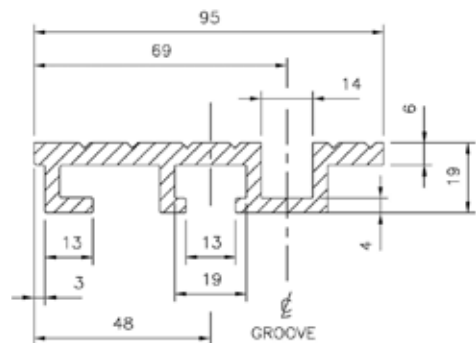
PL0372B



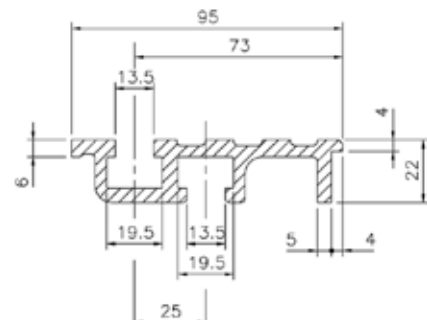
PL0372



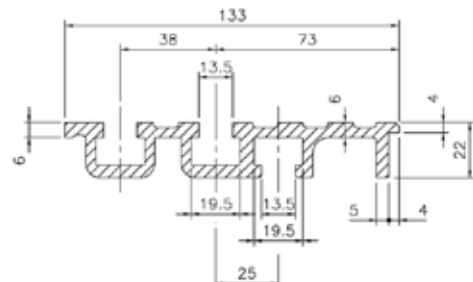
PL037S2



PL0371B



PL039A1



PL039A2

BOTTOM TRACKS	ILE PART No.
Aluminium single groove track	PL0371
Aluminium double groove track	PL0372
Bronze track single speed 1900 mm	PL0371B
Bronze track single speed 3000 mm	PL0371B3
Bronze track two speed 1900 mm	PL0372B
Bronze track two speed 3000 mm	PL0372B3
Bronze single groove Selcom 3000 mm	PL037S13m
Bronze track single speed 1900 mm A1	PL039A1
Bronze track two speed 1900 mm A2	PL039A2
Bronze track two speed 4m A1	PL039A1-4

DOOR LOCKS & SPARES

• GAL, Prisma, Liftstore and Kronenberg locks, spares and release keys available from stock

DOOR LOCKS & SPARES	ILE PART No.
MOH left hand release	SG0173L
MOH right hand release	SG0173R
Small spoon lock release key	PL0385
Selcom lock release key	PL0389
Kronenberg lock release key	PL0390
"V" release key	PL0398A
GAL HA lock release key	EINTHAMC
GAL KMO lock release key	EINTKMO
GAL fob	EINTKMOFOB
V/R express drop release key	SPTV-VR KEY
VL10 beak and carrier	DPVL10B
VL11 beak and carrier	DPVL11B
VL10 roller and arm	DPVL10A
VL11 roller and arm	DPVL11A



SG0173L/R



SPTV-VR KEY



PL0385



PL0389



DPVL10B



DPVL10A



DPVL11A



PL0390



PL0398A



EINTKMO



EINTKMOFOB



EINTHAMC

MEMCO DETECTOR EDGE

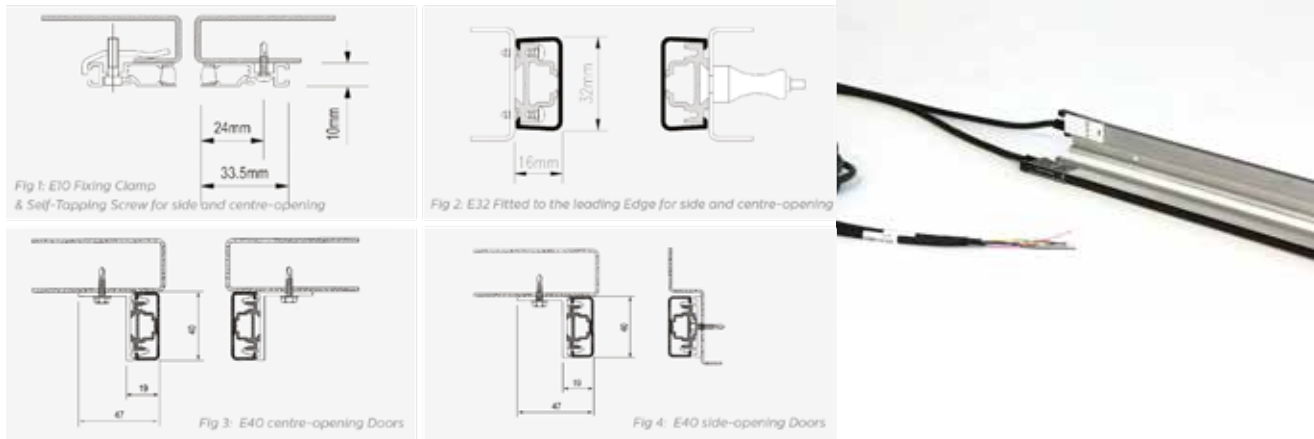
E SERIES

The latest addition to the Memco light curtain range is the E-Series. Incorporating Memco's latest technology and designed with flexibility in mind, this elevator detection product range is highly versatile offering options from 36 diodes with beam patterns ranging from 174.

The all new Memco edges are EN81-20 compliant and is able to detect a 50mm target obstacle at any point across the beam pattern right up until the doors close.

E-Series is also available in a number of different profile options to suit most elevator applications.

Standard features include timeout software, diagnostic LEDs and auto beam disabling.

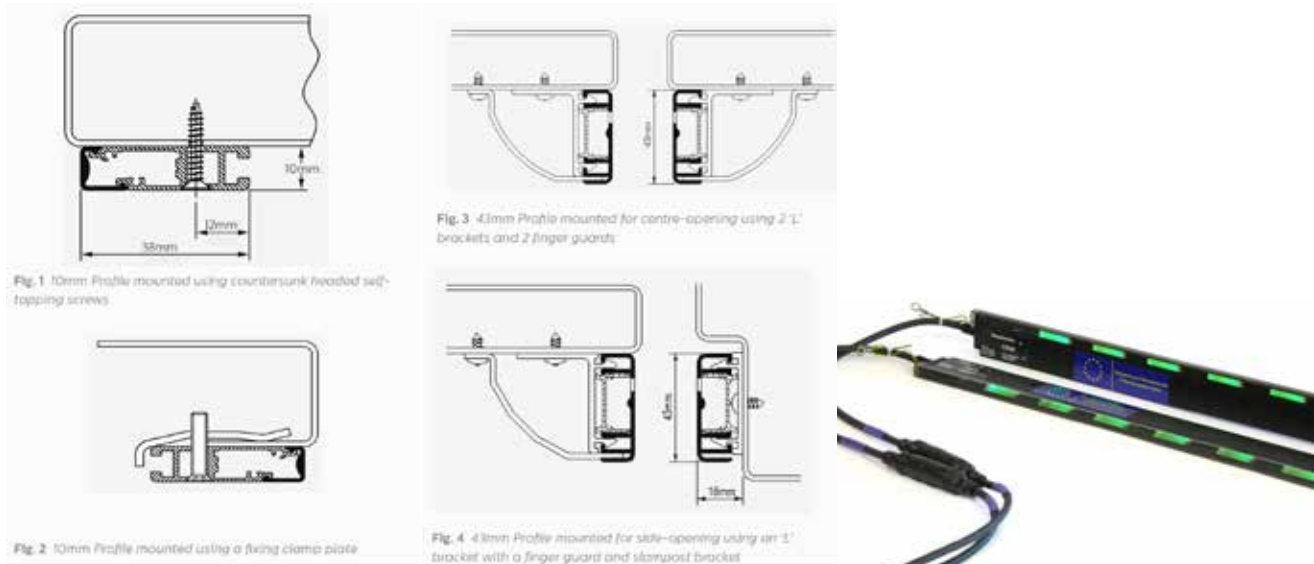


PANACHROME

A true innovation in elevator door safeguarding, Memco Panachrome provides the elevator industry with a revolutionary detection system for maximum safety. The unique solution has coloured red and green indicators which operate on door movement to visually indicate opening and closing thereby providing an additional safety feature.

This premium light curtain is also available with 3D detection in the landing zone for additional passenger protection.

Typically used in high traffic applications, Panachrome combines improved safety, enhanced aesthetics and reduced maintenance costs in a truly innovative solution.



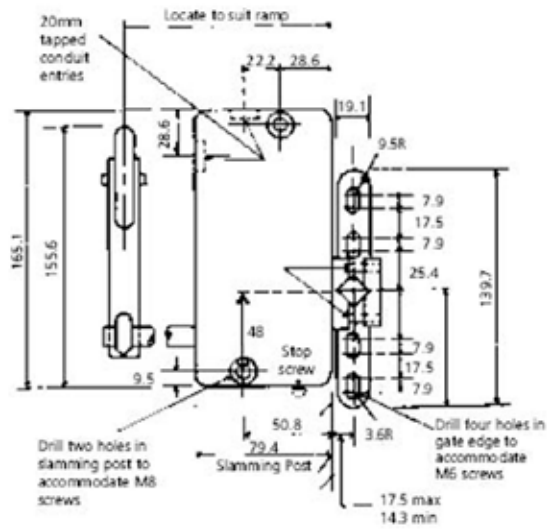
DETECTOR EDGES	ILE PART No.
Memco E Series (E1036) 10mm wide slimline	PL03012
Memco E Series (E4036) 40mm wide	PL03011
Memco Panachrome Ultra Slim	PL0302D

GATELOCKS

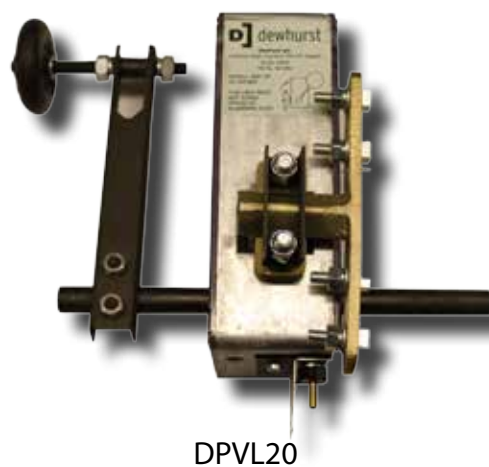
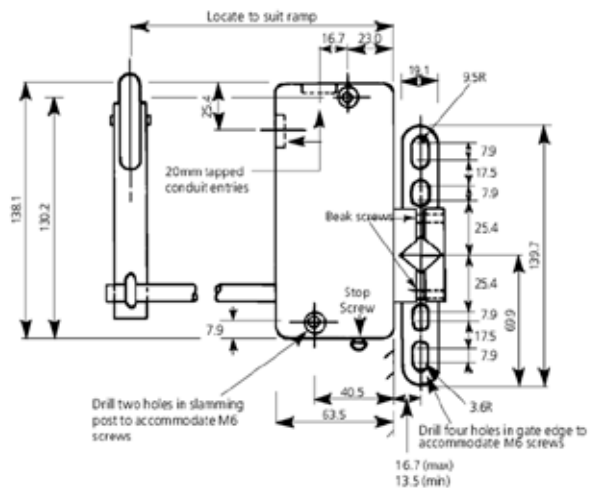
ILE offers a full range of gatelocks



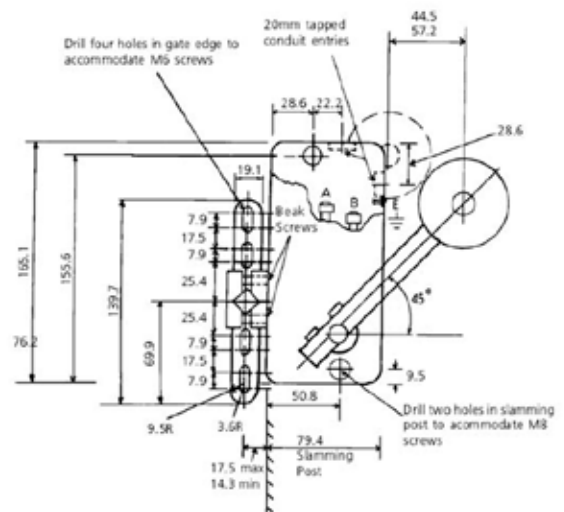
DPVL10



DPVL11



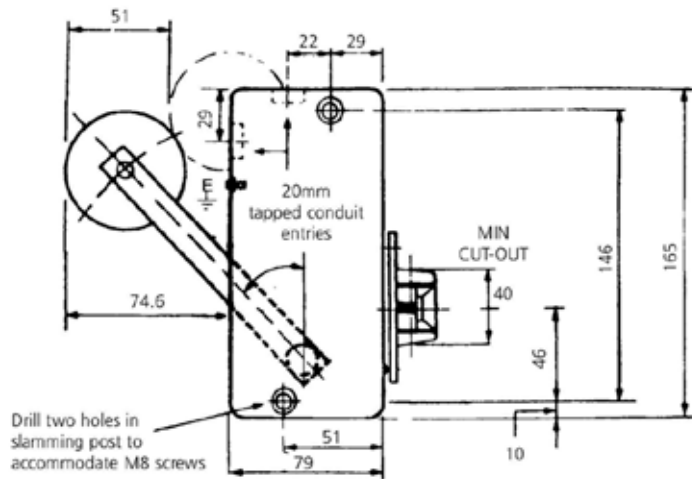
DPVL20



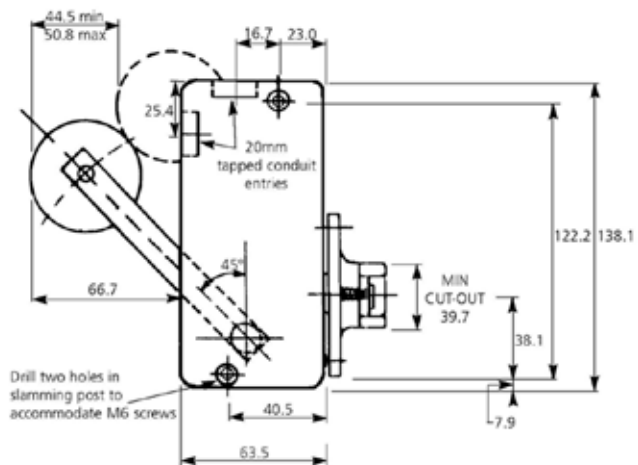
GATELOCKS



DPVL30



DPVL31

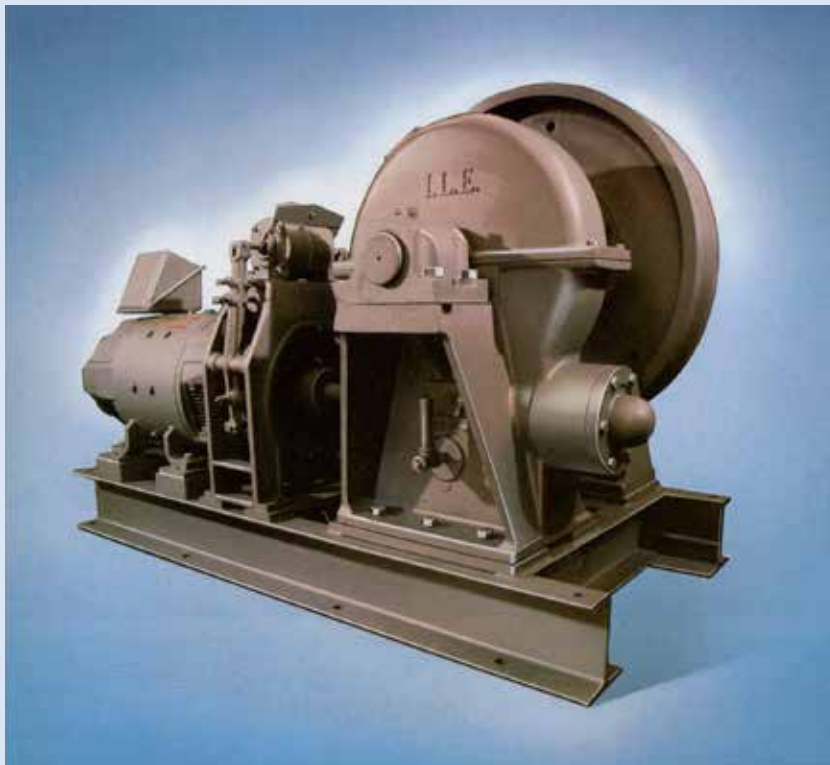


GATELOCKS	ILE PART No.
VL10 Gatelock	DPVL10
VL11 Gatelock	DPVL11
VL20 Gatelock	DPVL20
VL30 Left Hand Gatelock	DPVL30L
VL30 Right Hand Gatelock	DPVL30R
VL31B Left Hand Gatelock	DPVL31L
VL31A Right Hand Gatelock	DPVL31R

HOLLISTER WHITNEY

Hollister-Whitney Elevator Corporation, is one of the most modern lift equipment manufacturing facilities in the world. As a leader in their industry, they have dedicated themselves to excellence in products and customer service.

Hollister Whitney, which is owned by GAL, is also renowned for its quality products, notably in robust design for heavy duty and long life. Specification of gear units are far in excess of requirements requested by U.K. consultants and authorities. ILE can offer the full range of equipment Hollister Whitney have on offer.



Features

- Heavy duty traction machines
- Lift speed up to 2.8mps
- Drive range single and two speed, ACVV, VVWF and DCVV
- Static load 9091 - 27273kg
- Low speed shaft bearings independantly lubricated
- Compatible with all makes and types of foot mounted motors
- All units are available for bottom and side drive arrangements
- Drum drive available
- Clients name cast on housing

H-W offers a complete line of heavy duty traction machines with speeds up to 500 f.p.m. The smooth running efficiency of tapered roller bearings, plus the fact that each machine is thoroughly tested before shipment, insures the best possible installation at the lowest possible cost.

GEARED MOTORS - SASSI

In the ruined Italy of post war years, reconstruction was a national priority. One of the leading protagonists of this effort was the Alberto Sassi company. Managed by its founder, Mr Alberto Sassi, it started manufacturing essential building construction equipment, specialising in the production of gearboxes for lifts.

Their long experience in the lift industry has led them to adopt state-of-the-art manufacturing solutions, customised for their particular requirements. Their system monitors every aspect of production and is controlled by skilled personnel with extensive experience utilising the most advanced machine tools available. The components used in assembling gears and motors are designed, manufactured and inspected to achieve the highest possible precision of the machined surfaces.

> STATIC LOAD MAX - DUTY LOAD RANGE													
STATIC LOAD MAX [Kg]	Duty loads [Kg]												
	300	500	1.000	1.250	2.000	3.000	5.000	10.000	11.000	12.000	15.000		
	400	630	700	800	900		4.000	6.000	7.000	8.000	9.000		14.000
2.250	Mody												
2.400	Geko												
3.000	Leo												
3.100	MF 48												
4.200	Toro												
6.000	MF 84												
8.000	MF 94												
	MB 94												
12.000	MB 95												
15.000	MB 108												



MF94

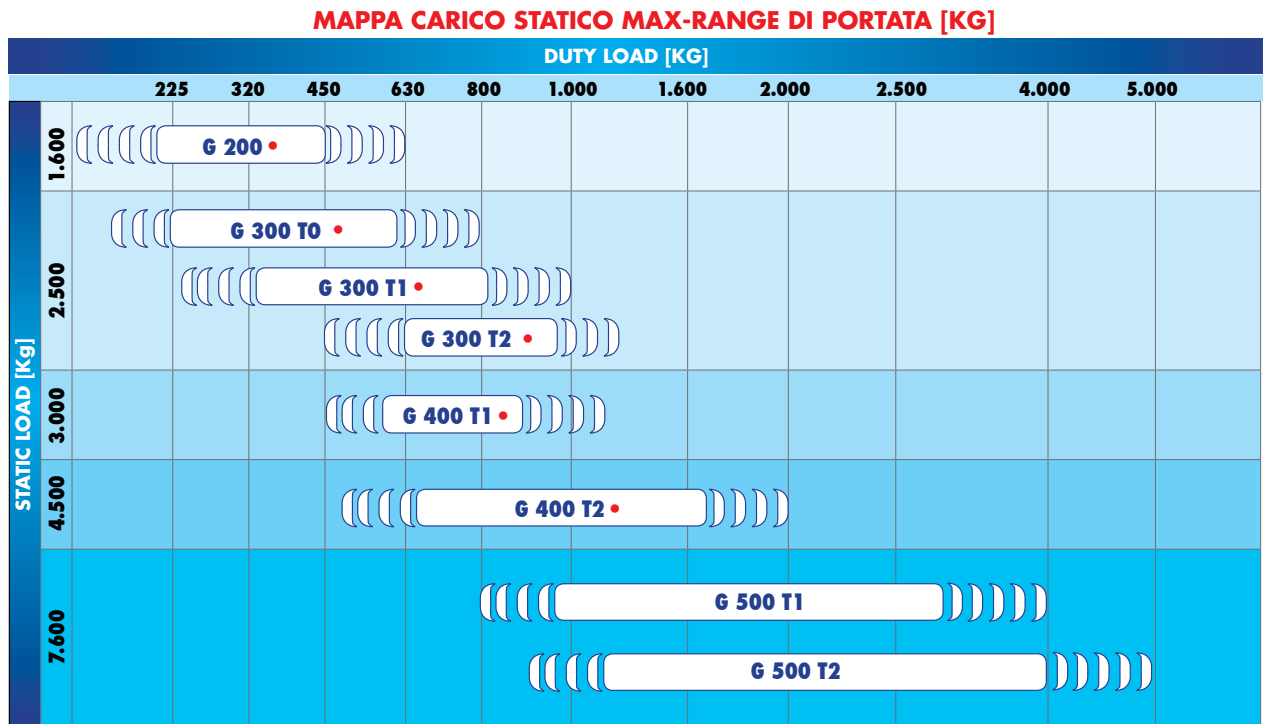


TORO

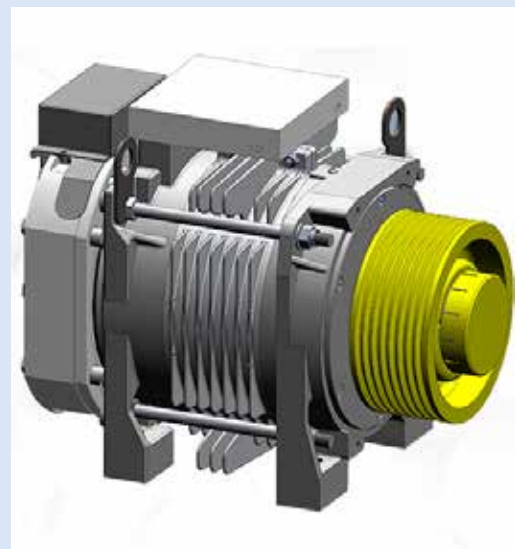
ILE's experienced engineers will size the unit to suit the installation via Sassi's "Algani" calculation program. Motor gear units can be supplied complete with bespoke bedplates to suit specific installation characteristics.

GEARLESS MOTORS - SASSI

Sassi offer a comprehensive range of gearless machines to suit a variety of specifications.



G400-T3

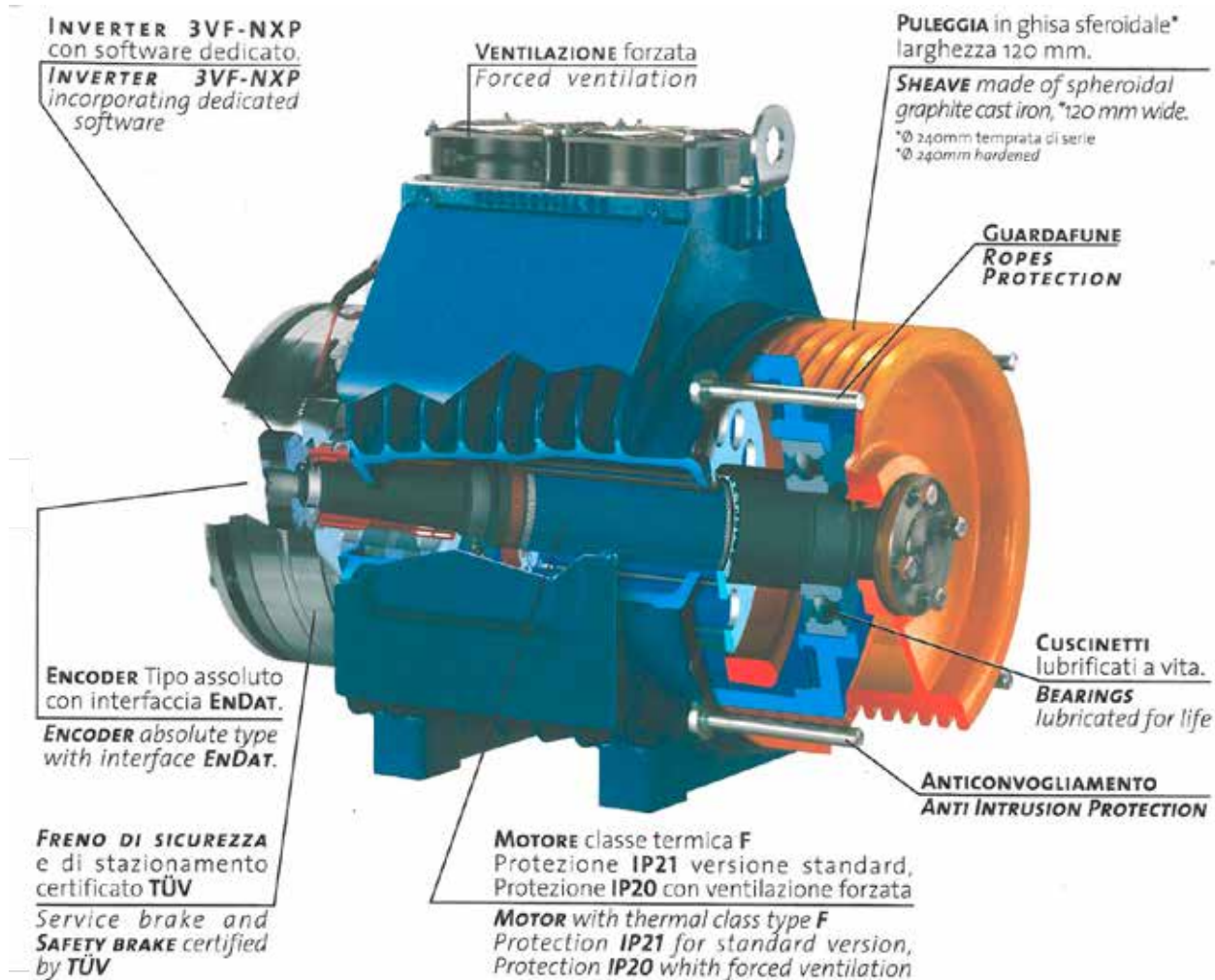


G200-T1

GEARLESS MOTORS - SASSI

As industry leaders in the production of gearboxes, motors and braking systems for lifts, Alberto Sassi continue with the new gearless type "G" range which have been totally redesigned and manufactured in their workshops. "G" range machines are fully versatile units, compact and easy to use which can be installed in scenarios without a machine room.

The overhanging sheave facilitates the positioning of the ropes and maintenance operations if necessary. The "G" range are an a synchronous motor with permanent magnets and internal rotor.



Used with an inverter, this is an evolved traction unit featuring high comfort, less interferences and installation advantages. The range comes complete with sheaves and brake as required to suit your specific requirements. The brake is a service and safety brake according to EN81-1:2005, a device to prevent uncontrolled upward movement in the lift car.

If you need assistance selecting your machine please get in touch and we will select the correct gear to suit your specific requirements.

GEARED LIFT MOTORS - ZIEHL - ABEGG

ILE are pleased to be able to offer the Ziehl - Abegg VFD range of elevator motors for frequency operation.

- Frame sizes from 132 up to 280
- From 4 up to 120Kw at 38/50/66 Hz.
- Foot mounting (IMB3)
- System Voltage: 400 V
- Rated Voltage: 360 V
- Poles: 4
- Noiseless running ball bearings
- Construction: IMB3
- Protection: IP54
- Insulation: Class F
- 3 PTC thermistors
- Without fan blower
- 240 starts per hour



Typ	Bemessungsleistung / Rated output	Bemessungsstrom / Rated current	Bemessungsmoment / Rated torque	Bemessungsdrehzahl / Rated speed	Strom bei max. zul. Drehmoment / Current at max. perm. Torque	Max. zul. Drehmoment / Max. perm. Torque	Leistungsfaktor / Power factor	Trägheitsmoment / Inertia	Gewicht ca. / Weight approx.	Magnetisierungsstrom / Magnet. Current
	kW	A	Nm	min-1	A	Nm	cos phi	kg m ²	kg	A
50 Hz										
VFD132M-4	5,5	13,5	37	1440	26	67	0,85	0,018	42,0	5,2
VFD132MA-4	7,5	18	50	1450	32,5	90	0,78	0,022	52,5	8,5
VFD132MB-4	9,2	21,5	61	1450	38	110	0,83	0,024	56,5	8,7
VFD160LA-4	11	24,5	72	1460	53	144	0,87	0,046	79,2	9
VFD160LB-4	15	33	100	1460	68	200	0,87	0,060	97,5	12
VFD180L-4	22	45	144	1465	92	288	0,90	0,160	170	14
VFD200L-4	30	64	197	1470	126	394	0,79	0,200	190	30
VFD225M-4	37	76	242	1480	150	484	0,84	0,450	280	30
VFD225M-4	45	90	292	1475	195	584	0,89	0,450	280	30
VFD250M-4	55	110	357	1485	245	714	0,90	0,500	350	30
38 Hz										
VFD132M-4	4	10,3	37	1080	19	67	0,79	0,018	42,0	4,7
VFD132MA-4	5,5	13,6	50	1085	25	90	0,80	0,022	52,5	6,0
VFD132MB-4	6,8	16,0	61	1085	29	110	0,81	0,024	56,5	6,9
VFD160LA-4	8,5	18,5	72	1100	40	144	0,85	0,046	79,2	7,1
VFD160LB-4	11,5	24,5	100	1100	52	200	0,87	0,060	97,5	8,8
VFD180L-4	16,5	35	144	1100	69	288	0,87	0,160	170	12,5
VFD200L-4	23	49	197	1110	96	394	0,78	0,200	190	23
VFD225M-4	28	58,0	242	1120	114,0	484	0,84	0,450	280,0	21,0
VFD225M-4	34	68	292	1115	144	584	0,90	0,450	280	21
VFD250M-4	42	84	357	1125	170	714	0,88	0,500	350	29
66 Hz										
VFD132M-4	7,5	18,0	37	1920	33	67	0,79	0,018	42,0	8,2
VFD132MA-4	10	23,5	50	1925	44	90	0,78	0,022	52,5	10,5
VFD132MB-4	12	28	61	1925	50	110	0,82	0,024	56,5	12,0
VFD160LA-4	14,5	32	72	1940	69	144	0,86	0,046	79,2	12,3
VFD160LB-4	20	43	100	1940	90	200	0,87	0,060	97,5	15,2
VFD180L-4	29	60	144	1940	119	288	0,87	0,160	170	22
VFD200L-4	40	85	197	1950	166	394	0,78	0,200	190	40
VFD225M-4	50	100,0	242	1960	197,0	484	0,84	0,450	280,0	36,0
VFD225M-4	60	118	292	1955	249	584	0,90	0,450	280	36
VFD250M-4	73	146	357	1965	295	714	0,88	0,500	350	50

GEARLESS LIFT MOTORS - ZIEHL - ABEGG



ZETATOP GEARLESS MOTOR

Attributes and special features:

The ZETATOP offers all of the advantages of a modern permanent magnet excited synchronous motor. It is compact and can be mounted in many ways, even in the smallest elevator shaft. The ride quality and the smoothness of these kinds of drives is unsurpassed. The certified brake can be used in addition as a safety device against uncontrolled car movement upwards.



ZETASYN GEARLESS MOTOR

Attributes and special features:

Due in particular to the flat and narrow design, the ZETASYN is ideally suitable for individual elevators with or without machine rooms. The certified brake can be used in addition as a safety device against uncontrolled car movement upwards.

Full range of Zetatop and Zetasyn available from ILE.

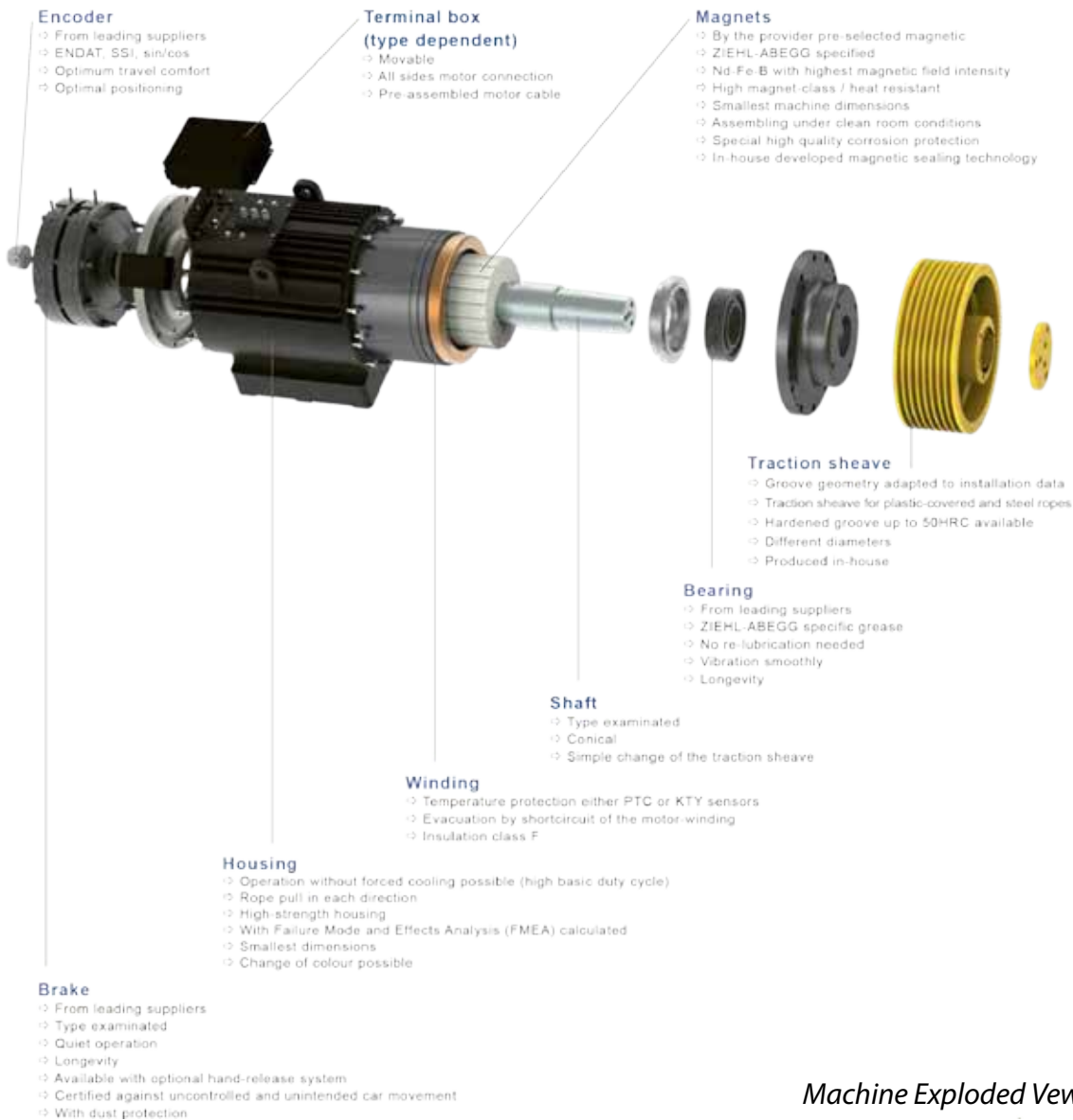
Please contact us for more details and prices

GEARLESS LIFT MOTORS - ZIEHL - ABEGG

ILE supply the full range of Ziehl Abegg machines to suit a variety of loads and speeds. These are a high quality machine, fully controllable and hardwearing. These can be supplied with a large range of extras as required for your specific needs.

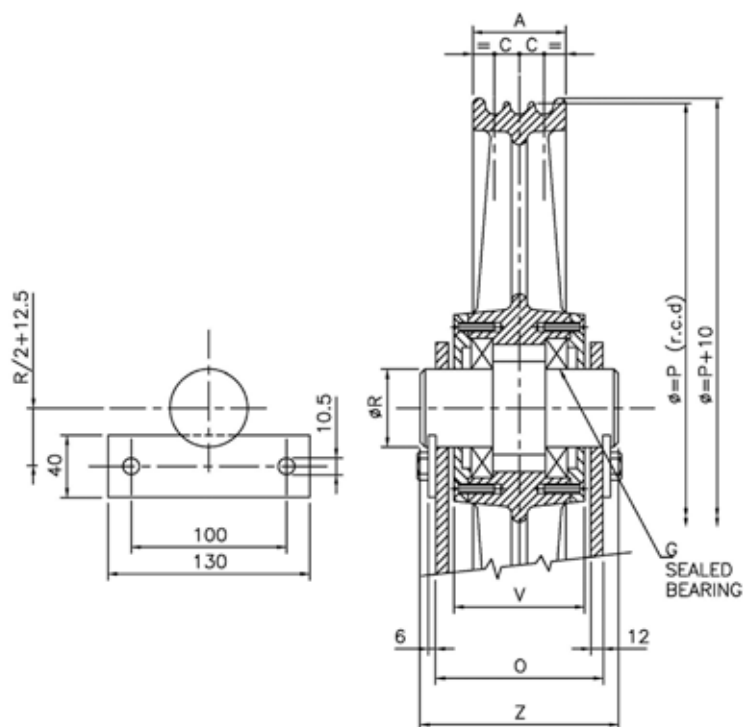


For help selecting the correct gear for your requirements, please get in touch and we will be happy to select the correct machine for your application.



Machine Exploded View

DIVERTORS



T235 DIVERTOR TYPE

T235 DIVERTOR PULLEY ON BALL BEARINGS COMPLETE WITH FIXED AXLES FOR KEEPER PLATES										
P	Grooves Nr	Rope ø mm	A	C	V	Z	O	Static Load Kgs	ILE PART No.	
400	4	10	77	17	82	140	120	2500	PL0532	
	5	10							PL0535	
	6	10							PL0537	
	8	10							PL0539	
450	4	11	77	17	82	140	120	3100	PL0511	
	6	11							PL0538	
	10	11							PL0541	
550	4	11	77	17	82	140	120	3100	PL0533	
	4	13	94	20	102	164	144		4200	PL0512
	5	13	111	20	102	164	144		5200	PL0523
	6	11	111	17	102	164	144		4700	PL0527
PFB Deadeyes 45mm per pair									PL0505	

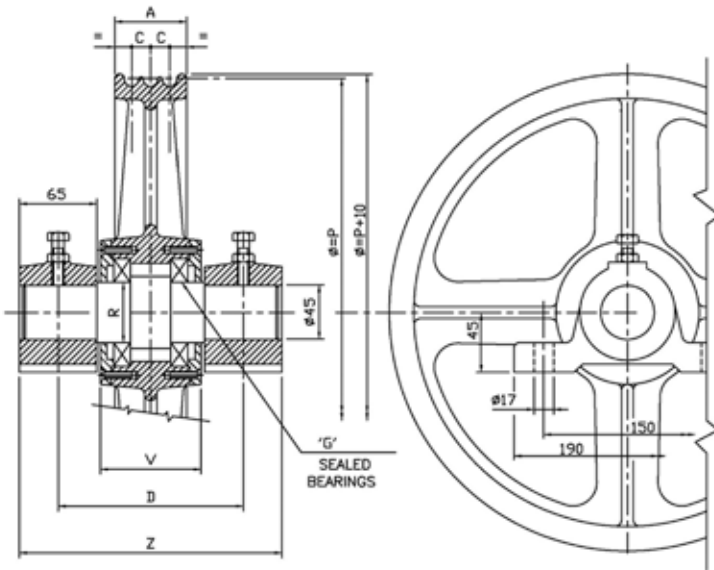
Others available on request

- 4,5 and 6 rope divertors to suit 9,5, 11 and 13mm diameter ropes available from stock
- Other configurations available including heavy duty divertors with bronze bearings and Stauffer grease feeds



PL0505

DIVERTORS



T234 DIVERTOR TYPE

T234 DIVERTOR PULLEY ON BALL BEARINGS COMPLETE WITH FIXED AXLES AND SUPPORTS

P	Grooves Nr	Rope ø mm	A	C	V	Z	D	Static Load Kgs	ILE PART No.
400	4	9.5	77	17	82	215	155	2500	PL0501
	4	10	77	17	82	215	155	2500	PL0531
	5	10							PL0534
	6	10							PL0536
	8	10							PL0540
450	4	11	77	17	82	215	155	3100	PL0502
	5	11	94	17	102	240	180	3900	PL0525
	6	11	111	17	102	240	180	4700	PL0517
	10	11							PL0542
550	4	11	77	17	82	215	155	3100	PL0503B
	4	13	94	20	102	240	180	4200	PL0503
	5	11	94	17	102	240	180	3900	PL0521
	5	13	111	20	102	240	180	5200	PL0519
	6	11	111	17	102	240	180	4700	PL0526
	6	13	130	20	122	260	200	6300	PL0518
PFB Deadeyes 45mm per pair									PL0505

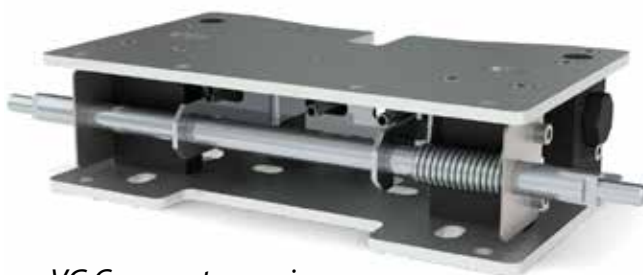
Others available on request

VG COMPACT SAFETY GEAR

The design of the VG Compact is a hybrid of the VG-4 and VG-5 safety gears. The linkage mechanism from the VG-5 has been fitted into a VG-4 sized frame. The brake can be fitted with either of the spring stacks from the VG-5. One spring stack is used for a safety gear acting in the "down" direction and the other when the safety gear is inverted and acts as an "upward acting brake".



VG Compact



VG Compact rear view

- Bolted construction involving no welding
- Reduced weight of 7.3KG
- Anodised silver for a hardwearing, long lasting finish
- Tried and tested mechanics



SAFETY GEAR	VG COMPACT
Minimum Mass	680Kg
Maximum Mass (P+Q) @ 1m/s	2750Kg
Maximum Mass (P+Q) @ 2m/s	2375Kg
Maximum Mass (P+Q) @ 2.63m/s	2150Kg
Max Gov'r Speed	2.63 m/s
Rail Conditions	Dry or oiled
Guide Rails	T73 to T89
Safety Switch	IP67 220v - 4A
Operating force (with one torsion spring per end)	25 Newtons
Weight	7.3Kg
Dimensions	275 x 165 x 76mm



VG Compact side view

ORIGINAL SAFETY GEARS

- Variable geometry (VG) progressive safety gear available from stock for speeds up to 3 mps and loads up to 6000kg
- Higher loads available via special design

SAFETY GEARS	ILE PART No.
VG2A Safety Gear	PL07VG2A
VG4 Safety Gear	PL07VG4
VG5 Safety Gear	PL07VG5
VG6 Safety Gear	PL07VG6

When ordering safety gears please state the car weight, contract load, lift speed, governor rope position and guide type

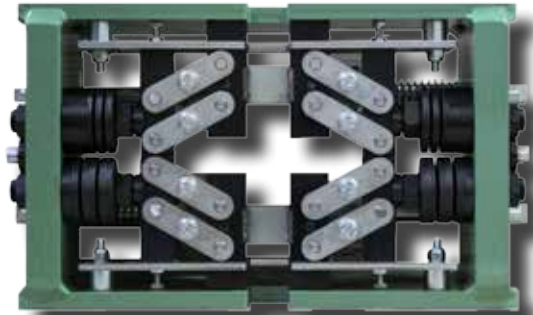
SAFETY GEARS	VG-2A	VG-4	VG-5	VG-6
Minimum Mass @3.25m/s tmp	1905Kg	700Kg	930Kg	1950Kg
Maximum Mass @0.5m/s tmp	3805Kg	1665Kg	2800Kg	5600Kg
Max Tripping Speed (m/s)	3.25	3.25	3.25	3.25
Max Lift Speed (m/s)	2.5	2.5	2.5	2.5
Width	370	270	370	370
Fixing Centres	134/238	112/168	134/238	134/238
Height	175	143	224	175

The above loads can be increased by "duplexing" the above units. Please contact the sales office for further information.

ACCESSORY KIT	SK1	SK2	SK3	SK4	SK5	SK7	SK8	SK9	SK10	SK10A	SK10B	SK10C	SK10D	SK12
Downward acting safety gear	1	1				1		1						1
VG 5 Bi-directional safety gear	2					2	1	1	1			1		1
Combined bi-directional safety gear - direct connection	2				1	2	1	1	1	*	*			1
Combined bi-directional safety gear - indirect connection	2					2	1	1	1				1	1
Duplexed safety gears - single direction	2	1			1	2		1						1
Special 4 Guide System	4			1	2	2	1	1	1					1
Kit SK10 for Combined and Dual Acting Safety Gears	2					2		1	1					1

* Indicates options

Note: Internal torsion inertia springs are now fitted as standard to all end assemblies. These are suitable for lift travels up to 40 metres. Additional torsion springs can be fitted for travel over 40 metres to increase inertia force.



PL07VG5

SAFETY GEAR FIXING ACCESSORIES	ILE PART No.
Standard operating kit	PL07VGSK1
Inertia bracket	PL07VGSK2
Inertia spring	PL07VGSK3
Pivot bracket assembly	PL07VGSK4
Duplexing kit	PL07VGSK5
Up-down connection kit	PL07VGSK6
Switch kit	PL07VGSK7
Lockdown kit	PL07VGSK8
Pair of wedge sockets	PL07VGSK9
Bi-directional kit for VG-5 and combined safety gear	PL07VGSK10
Link plate combining 2 safety gears	PL07VGSK10 A-B-C-D
VG4 to VG2A pivot bar	PL07VGSK11
Side and bottom linkage	PL07VGSK12

PFB OVERSPEED GOVERNORS

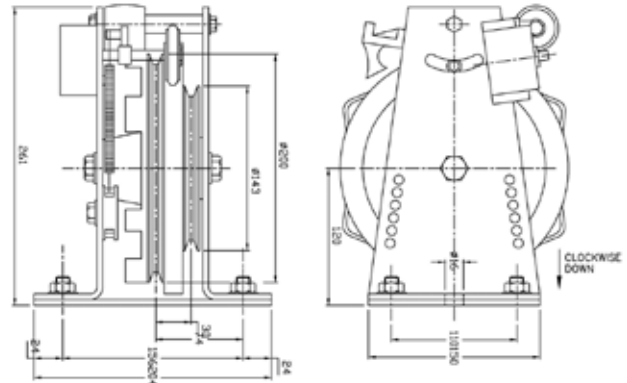
- ILE offers a full range of Overspeed Governors and tension weights
- Overspeed governors can be fitted with digital pulse encoder for use with control system shaft encoder

OVERSPEED GOVERNORS	ILE PART No.
PFB R5 governor 0.5-1.68	PL070R5 L/R
PFB R6 governor 0.5-2.1	PL070R6 L/R
PFB R10 rope gripping governor 0.9-2.5	PL070R10
PFB LK200 Bi-directional 0.32-1.7	PL07LK200
PFB LK300 Bi-directional 0.4-2.73	PL07LK300



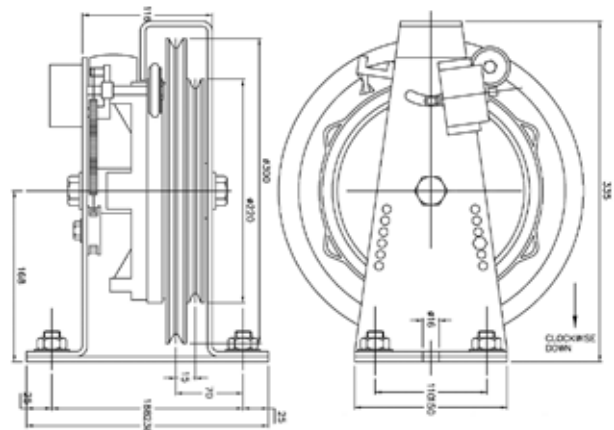
PART No. PL070R5

- Down direction only
- Safety switch
- Test groove
- Rope Size: 6 to 6.5mm
- Min tripping speed 0.35m/s
- Max tripping speed 1.68m/s
- 261mm high
- 200mm wide
- 204mm depth
- Weight 10Kg



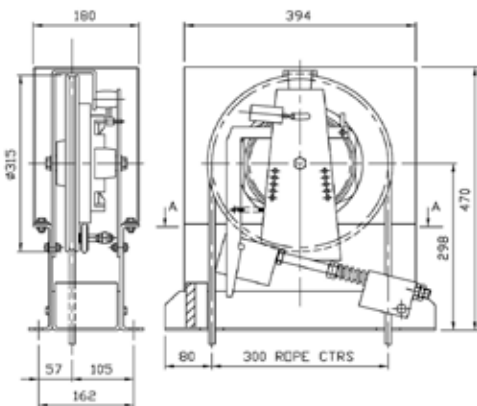
PART No. PL070R6

- Down direction only
- Safety switch
- Test groove
- Rope Size: 6 to 8mm
- Min tripping speed 0.50m/s
- Max tripping speed 2.10m/s
- 335mm high
- 300mm wide
- 238mm depth
- Weight 16Kg



PART No. PL070R10

- Rope gripping
- Down direction only
- Safety switch
- Test groove
- Rope Size: 8 to 10mm
- Min tripping speed 0.63m/s
- Max tripping speed 2.50m/s
- 495mm high
- 460mm wide
- 196mm depth
- Weight 33Kg



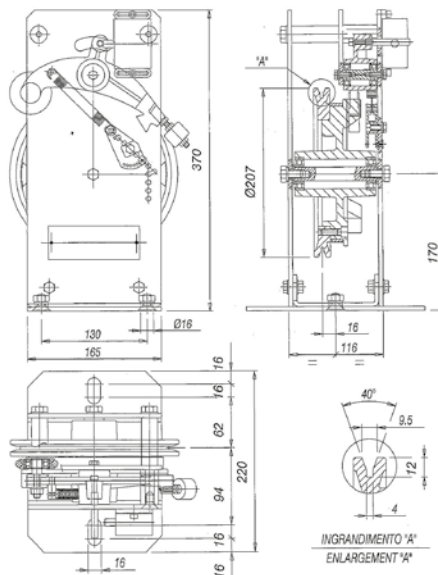
THE BODE RANGE OF OVERSPEED GOVERNORS ARE NO LONGER KEPT IN STOCK. THEY ARE SPECIAL ORDER AND ARE ON A 4 WEEK DELIVERY PERIOD FROM PFB.

PFB OVERSPEED GOVERNORS



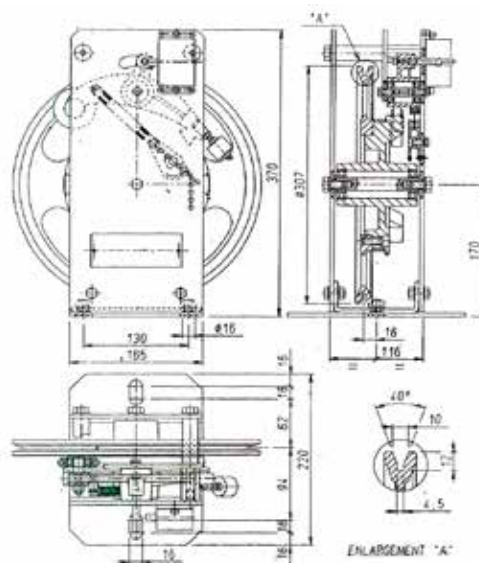
PART No. PL07LK200

- Bi-directional
- 200 mm pulley
- Test groove
- Rope size: 6 to 6.5mm
- Min tripping speed 0.32 m/s
- Max tripping speed 1.7m/s
- 170mm high
- 200mm wide
- 220mm depth
- Weight 12Kg
- Optional:
 - Remote reset
 - Encoder



PART No. PL07LK300

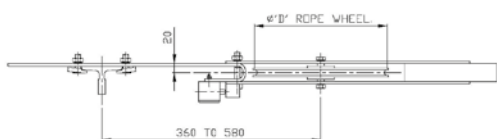
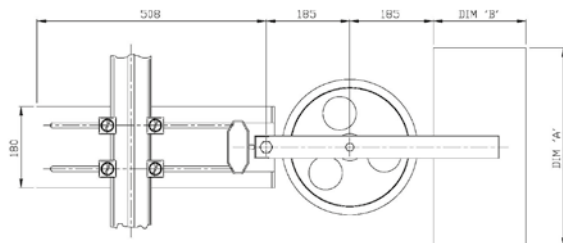
- Bi-directional
- 300 mm pulley
- Safety switch
- Test groove
- Rope Size: 6 to 8mm
- Min tripping speed 0.40m/s
- Max tripping speed 2.73m/s
- 370mm high
- 300mm wide
- 220mm depth
- Weight 14Kg
- Optional:
 - Remote reset
 - Encoder



TENSION WEIGHTS

PFB TENSION WEIGHTS	ILE PART No.
PFB D1 200 Tension Weight	PL0719
PFB R4 300 Tension Weight	PL0720

ILE TENSION WEIGHTS	PULLEY DIA (mm)	ILE PART No.
450N Load	200	B138
450N Load	300	B132
550N Load	300	B136
800N Load	300	B137
200 TW	200	PL07BD-200TW
300 TW	300	PL07BD-300TW

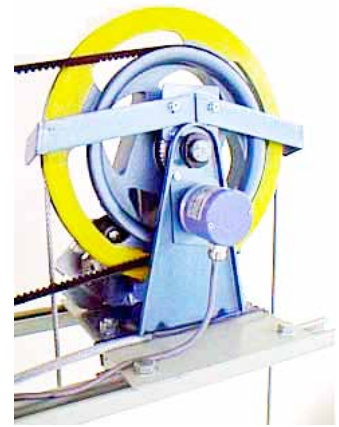


200 TW

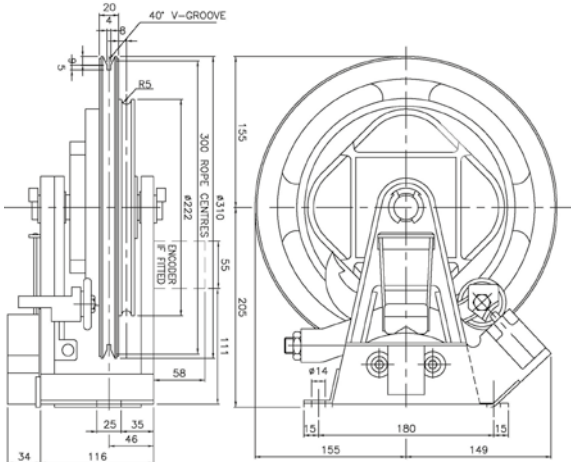
BODE OVERSPEED GOVERNORS

- Bode type 7 can be fitted with a digital pulse encoder for use with control systems shaft encoder
- Bode overspeed governors can be fitted with an anti slip device to allow compliance with EN81 A3 amendment.

OVERSPEED GOVERNORS	ILE PART No.
BODE overspeed governor type 7: 0.7-1.3	PL07BD07
BODE H.S overspeed governor type 7: 1.4-3.43	PL07BD07H
BODE overspeed governor type 8: 0.8-0.46	PL07BD08
BODE H.S overspeed governor type 8: 0.5-1.33	PL07BD08H
BODE overspeed governor type 9: 0.5-0.7	PL07BD09
Encoder inc. belts and brackets	PL07BDEN

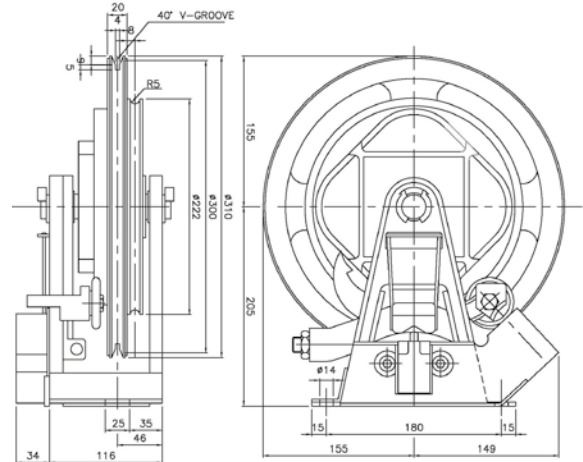


PART No. PL07BD07



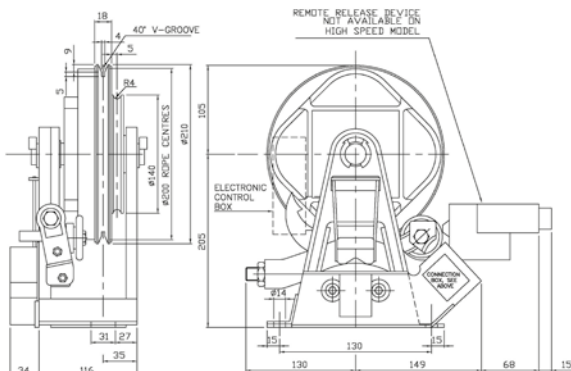
PL07BD07

- Tripping speed 0.70 to 1.3m/s
 - Rope size: 6 to 8 mm
 - 360mm high
 - 304 wide
 - 208 deep (with encoder)
- Optional extras:
- Remote release device
 - Anti slip protection



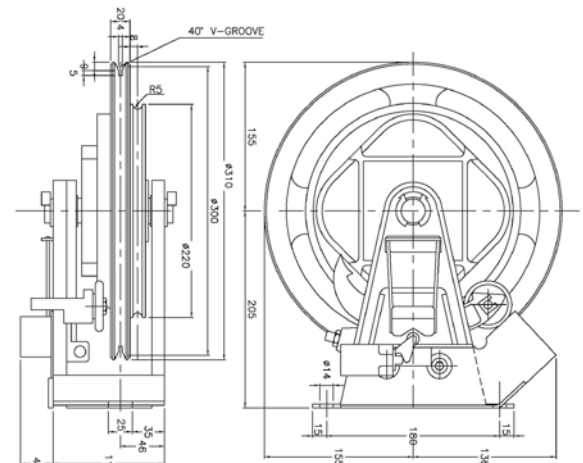
PL07BD07H

- Tripping speed 1.4 to 3.43m/s
 - Rope size: 6 to 8 mm
 - 360mm high
 - 304 wide
 - 150 deep
- Optional extras:
- Remote release device
 - Anti slip protection



PL07BD08/8H

- Tripping speed (08) 0.18 to 0.46m/s
 - Tripping speed (8H) 0.5 to 1.33 m/s
 - Rope size: 6 to 6.5 mm
 - 310mm high
 - 362 wide
 - 150 deep
- Optional extras:
- Remote release device
 - Anti slip protection



PL07BD09

- Tripping speed 0.5 to 0.7m/s
- Rope size: 6 to 8 mm
- 360mm high
- 291 wide
- 157 deep (with encoder)

BODE ANTI SLIP DEVICE

In compliance with the Lift Directive 2014/33/EU and EN81-20:2014, the Bode overspeed governor complete with anti-slip device offers protection against unintended movement. This is a non-commanded movement of the lift with the doors open within a door zone away from a landing, excluding movements resulting from loading/unloading.

The means of protection must detect unintended movement of the car, and cause the car to stop, and keep it stopped. The device must stop the car within 1.2m of the landing where the unintended movement has been detected.

ILE's method of providing this protection is to use the Bode Overspeed Governor fitted with their 'Anti slip device' used in conjunction with ILE's VG range of Safety Gears.

The anti-slip device is a solenoid operating a pinning rod that once engaged locks the overspeed governor and therefore activates the Safety Gear preventing further movement of the lift in either direction. The zone detection is monitored by proximity switches in conjunction with a CE marked (to the lift directive requirements) safety relay.

Under normal safe operation of the lift the solenoid is energised, when unintended movement is detected the solenoid de-energises thus locking the Overspeed Governor.

BODE OVERSPEED GOVERNOR FEATURES

- Direction-independent activation in case of overspeed
- Compact design
- Easy installation and replacement of overspeed governor in the system
- Mounting requires only two screws
- Can be replaced without loosening the limiter rope
- Low maintenance
- Low wear
- Coordinated components
- Quiet operation even at high speeds
- Versatile installation
- Various add-on functions
- Activation speed below 0.5 m/s due to electronic circuitry
- System for activating additional brakes
- Drop protection
- Shaft copying
- Remote activation



OVERSPEED GOVERNORS	ILE PART No.
BODE overspeed governor type 7: 0.7-1.3 Anti Creep	PL07BD07
BODE H.S overspeed governor type 7: 1.4-3.43 Anti Creep	PL07BD07H

The solenoid operates at 12 or 24VDC allowing energisation through appropriate circuitry whilst handwinding the lift for emergency rescue purposes. For correct and safe operation of this system we would recommend it is used in conjunction with the ILE range of lift control panels.

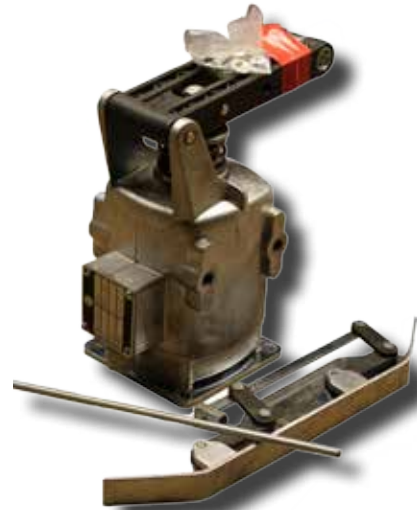
FURINI & KRONENBERG RETIRING RAMPS

• Suitable for the operation of Kronenberg manual swing door locks and Dupar (Liftstore) gatelocks (VL10, VL11, VL21 and VL31).

RETIRING RAMPS	ILE PART No.
Furini retiring ramp 100v	B135
Furini retiring ramp 185v	B134
Furini cam	PL0399
Kronenberg retiring ramp 48V DC	PL0360
Kronenberg retiring ramp 48v DC Heavy Duty	PL0361



PL0360



B135

LOAD WEIGHING UNITS

DMG LLEC6 Load Weighing Unit

LLEC6 FRM

With its integrated load sensor, the LLEC6 FRM allows to accurately control the car weight through the measurement of the car frame deformation.

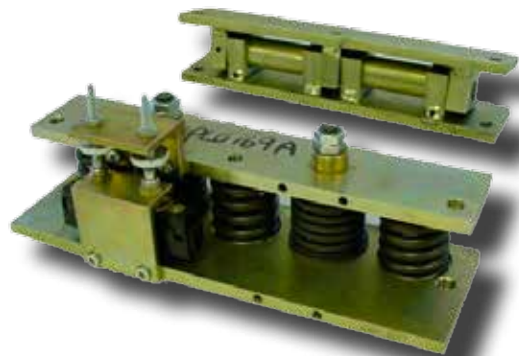
LLEC6 ROP

The LLEC6 ROP features a main unit and external load sensors, to be mounted on lift ropes or under the cabin.

New design, reduced dimension, removable keyboard with 6 touches and LCD display, easy calibration are only a few of the features making the LLEC6 very practical and quick to install and configure.



PL07LEC6F



PL0768

Note: Special version available if rope compensation is fitted to the lift. Please specify if required

LOAD WEIGHING UNITS	ILE PART No.
DMG LLEC6F self contained load weighing system with cross head mounted sensor	PL07LEC6F
DMG LLEC6F self contained load weighing system with rope mounted sensor	PL07LEC6R
Load weighing device 800-1300Kg	PL0768
Load weighing device 1300-2200Kg	PL0768A
Load weighing device 2200-2800Kg	PL0769
Load weighing device 2800-4000Kg	PL0769A

EN81:20 COMPLIANT PRODUCTS



PL1176



Pit inspection Station

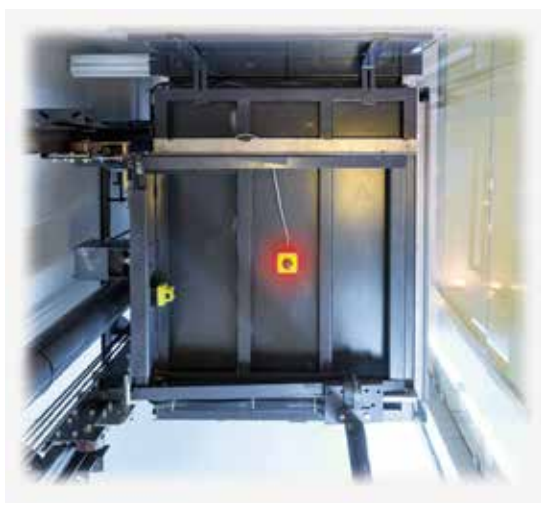
Compromises of pendant style case IP65, with UP/DN/RUN & TEST-NORMAL switches, along with an ALARM button. Supplied with holster style holder with reed switch to operate when the pendant is removed and stop normal operation until is is replaced correctly.

Audible Signal and Indicator

Comprises of a buzzer and indicator for positioning under the lift car which activates when the lift is operating with car/landing door "bypass" engaged.



PL1177



TRAILING CABLE

- Stock trailing cables as shown
- Also available with LSF and video cable options

Cables	ILE PART No.
12 way trailing cable x 1 mm	PL1202
24 way trailing cable x 1 mm	PL1203
Wedge clamp to suit trailing cable	PL1210
Cable hanger flat	PL1214
100 way terminal box	PL1223
Wedge clamp to suit 12 way cable	PL1210A
Video cable trailer	PL1200



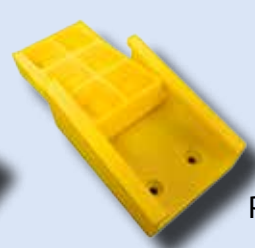
PL1202



PL1203

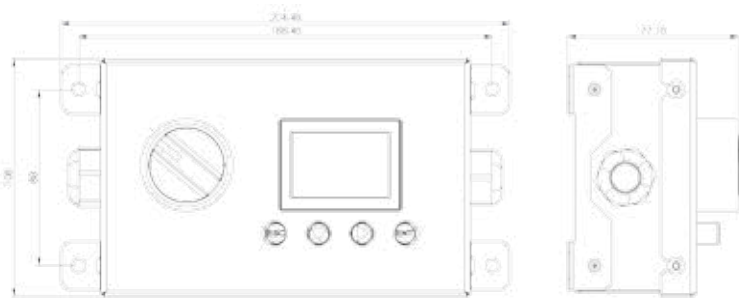


PL1210A



PL1210

HANDWIND UNIT



PL04HW2013

The brand new HW 2013 positional unit is ILE's latest version of the manually controlled handwind unit. The device constantly monitors and displays the lift car floor position via an LCD display. The unit is battery backed via the ILE control panel so that when the power is removed from the lift, the position will still be displayed.

This will assist engineers on site to manually move the lift by knowing where the lift is in the shaft. Also, when the lift is at floor level a buzzer sounds to inform the person moving the lift.

Features

- On/Off switch isolates mains and instigates the handwind unit
- Fully programmable allowing for all types of floor level vane arrangements
- Fully programmable two character floor designations
- Display lift position relative to, just above and just below floor level
- Speed and direction display for MRL lifts via connection to a CAN encoder
- Facility for lift car mounted option card to monitor speed and direction by an accelerometer with two relay outputs to control doors when the lift is at floor level
- Battery backed power via the ILE control panel
- Overspeed control relay for use when manually releasing brake for emergency rescue

PAWL DEVICE

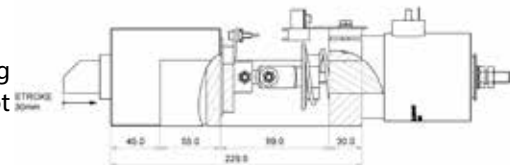
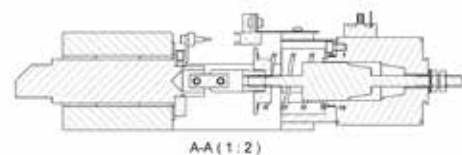
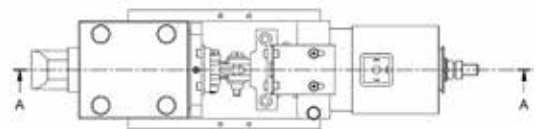
The ILE PAWL device system has been designed for use on either traction or hydraulic lift/platform systems to prevent uncontrolled descent of the carriage at rest.

When the lift has stopped at floor level the solenoid is de-energised, the actuator will be released via spring pressure. Uncontrolled descent will be prevented by keeper plates in the shaft.

The actuator solenoid must be engaged and the proving contact made before travel of the lift is permitted. It is not possible and should not be attempted to energise the solenoid whilst the actuator piston is under pressure.

- Max load: 5000Kg
- Supply voltage: 48V DC
- Duty rating: 25%
- Power consumption: 128W
- Current draw: 2.7 Amp

Note: Solenoid can remain energised for a maximum of 70 seconds. An adaptor is available if additional time is required.



PL0705

SIGNS

• Range of signs available from stock to suit EN81 requirements

SIGNS	ILE PART No.
Entrance barrier	PL0102
Danger (Motor Room) sign	PL0413
Emergency winding sign	PL0414
Emergency lowering sign	PL0414H
Shock sign	PL0415
Lift beam not tested sign	PL0416
Reduced headroom sign	PL0417
Lift out of service sign	PL0419
Pit prop sign	PL0420
Lift out of service tape (33m long)	PL0421
Caution in the event of a fire do not use lift sign	PL0423
Do not forget to close and lock sign	PL0422
Machine room door sign	PL0435
Lift well safety sign	PL0436
Unsafe car roof sign	PL0437
No car safety gear sign	PL0438
Falling hazard sign (large)	PL0439
Falling hazard sign (small)	PL0440
Reduced pit sign	PL0496
Danger 415 volts sign	PL0497
Counterweight descending sign	PL0498



PL0102



PL0416



PL0496



PL0497



PL0413



PL0414



PL0498



PL0423



PL0422



PL0419



PL0438



PL0436



PL0421



PL0440



PL0439

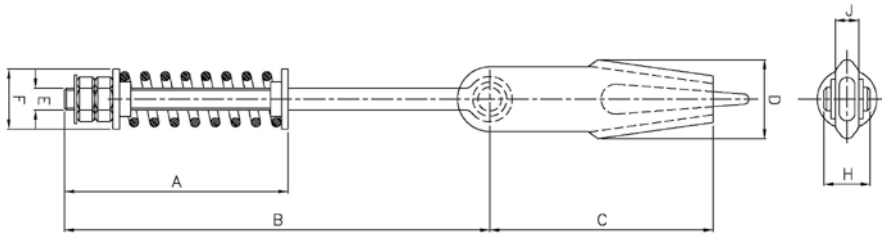


PL0435



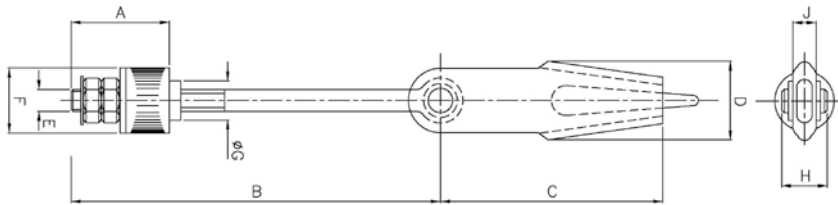
PL0417

ROPE ANCHORAGES



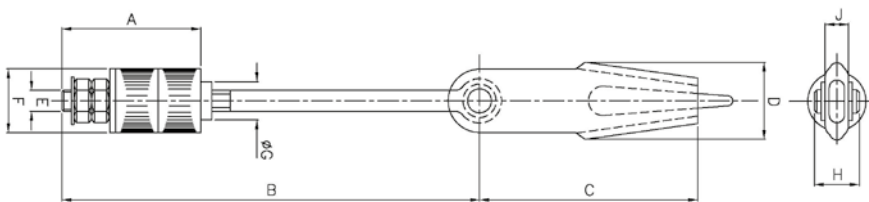
Stock No.	Type	Ø Rope mm	A mm MIN	B mm	C mm	D mm	E	F mm	H mm	J mm	Mass Kg
PL0901	1011	6-8	170	320	130	46	M12	44	44	22	1.5
PL0930	1011	6-8	170	600	130	46	M12	44	44	22	1.5
PL0902	1012	9-11	165	320	165	65	M16	44	50	30	2.5
PL0928	1012	9-11	165	500	165	65	M16	44	50	30	2.5
PL0903	1015	12-14	180	400	200	80	M20	52	60	40	5
PL0904*	1017	15-17	260	445	225	95	M24	64	72	45	8.5

* No test certificate



Stock No.	Type	Ø Rope mm	A mm MIN	B mm	C mm	D mm	E	F mm	G mm	H mm	J mm	Mass Kg
PL0905	1021	6-8	60	320	130	46	M12	50	22	44	22	1.5
PL0906	1022	9-11	65	320	165	65	M16	50	22	50	30	2
PL0907	1025	12-14	75	400	200	80	M20	67	28	60	40	3.5
PL0908*	1027	15-17	83	450	225	95	M24	85	28	72	45	6

* No test certificate



Stock No.	Type	Ø Rope mm	A mm MIN	B mm	C mm	D mm	E	F mm	G mm	H mm	J mm	Mass Kg
PL0927	1031	6-8	90	320	130	46	M12	50	22	44	22	1.5
PL0909	1032	9-11	95	320	165	65	M16	50	22	50	30	2
PL0910	1035	12-14	105	400	200	80	M20	67	28	60	40	3.5
PL0911*	1037	15-17	115	450	225	95	M24	85	28	72	45	6

* No test certificate

ROPE ACCESSORIES

ILE offer a full list of rope accessories to suit your specific requirements.

ROPE CLIPS	ILE PART No.
Galvanised rope clip (5.5 to 6.5mm)	PL0913
Galvanised rope clip (7 to 8mm)	PL0918
Galvanised rope clip (9 to 10mm)	PL0919
Galvanised rope clip (11mm)	PL0914
Galvanised rope clip (13mm)	PL0915
Galvanised rope clip (16mm)	PL0916
ROPE GATHERERS	
Rope Gatherer 4-9.5mm	PL0920
Rope Gatherer 6-11mm	PL0925
Rope Gatherer 6-13mm	PL0924
Rope Gatherer 6-16mm	PL0926
ROPE THIMBLES	
Rope thimble 9mm (3/8")	PL0940
Rope thimble 11mm (7/16")	PL0941
Rope thimble 13mm (1/2")	PL0942
Rope thimble 16mm (5/8")	PL0943
EYE BOLTS	
13mm (1/2") Eyebolt 610mm Long	PL0945
16mm (5/8") Eyebolt 460mm Long	PL0496
16mm (5/8") Eyebolt 610mm Long	PL0497
19mm (3/4") Eyebolt 460mm Long	PL0498
19mm (3/4") Eyebolt 610mm Long	PL0949
ROPE EQUALISER	
IP-300 Rope tension equaliser tool	PL0950



PL0924



PL0915



PL0940

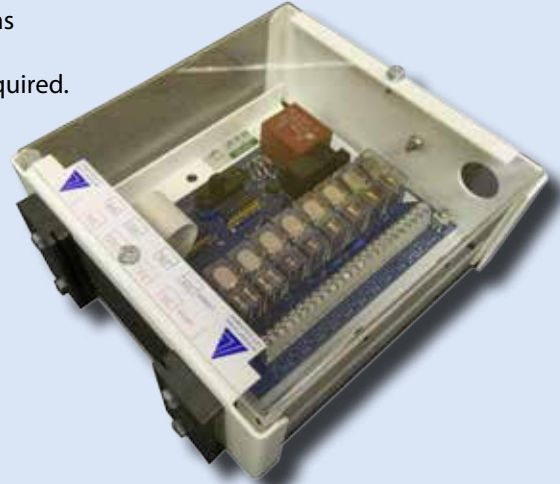
If you cannot find the fixing you are looking for listed, please give our office a call and we will do our best to assist you.

TAPEHEAD

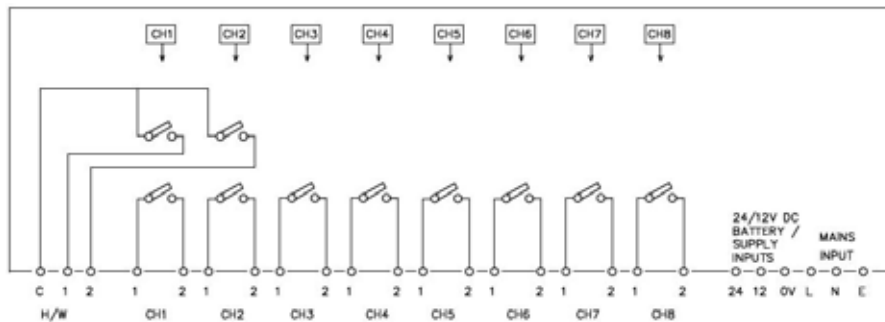
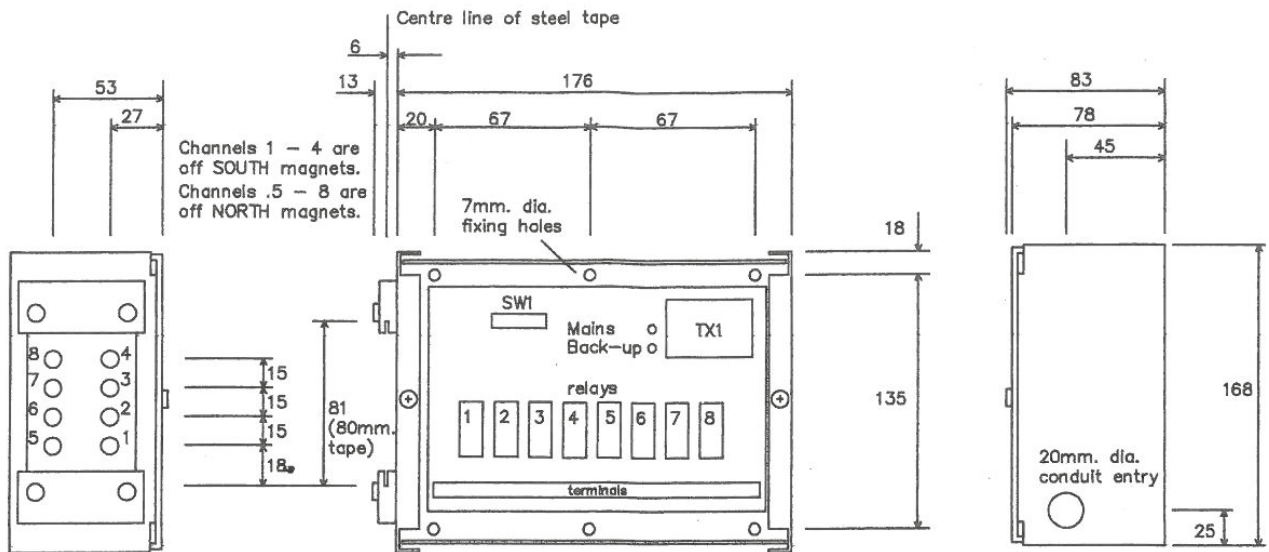
ILE Low Profile Universal Floating Tapehead Detector

- The ILE tapehead has been redesigned to one common type
- 8 channels available using 80mm wide stainless steel tape
- Channels 1 to 4 use south pole magnets, channels 5 to 8 use north pole magnets
- Channels 7 & 8 are latchable via switch SW1 (used on ILE CAN-X systems)
- Channels 1 & 2 are battery backed for use with handwinding switching
- Dual voltage 240/110VAC
- Sensor heads are mounted on a floating self lubricated nylon guide system in order to minimise guide wear associated with misalignment of the tape down the lift shaft.
- Relay contacts are 250V, 5 amp rated and on site configurable as 'normally open' or 'normally closed'
- Magnets, tape and fixing brackets are available separately if required.

TAPEHEAD & COMPONENTS	ILE PART No.
ILE universal tapehead	PL1071X
80 mm wide stainless steel tape	PL1072A
Car top fixing bracket	PL1074
Tape-to-guides fixing kit	B146/7
500 mm long south pole magnets	PL1027S
500 mm long north pole magnets	PL1027N



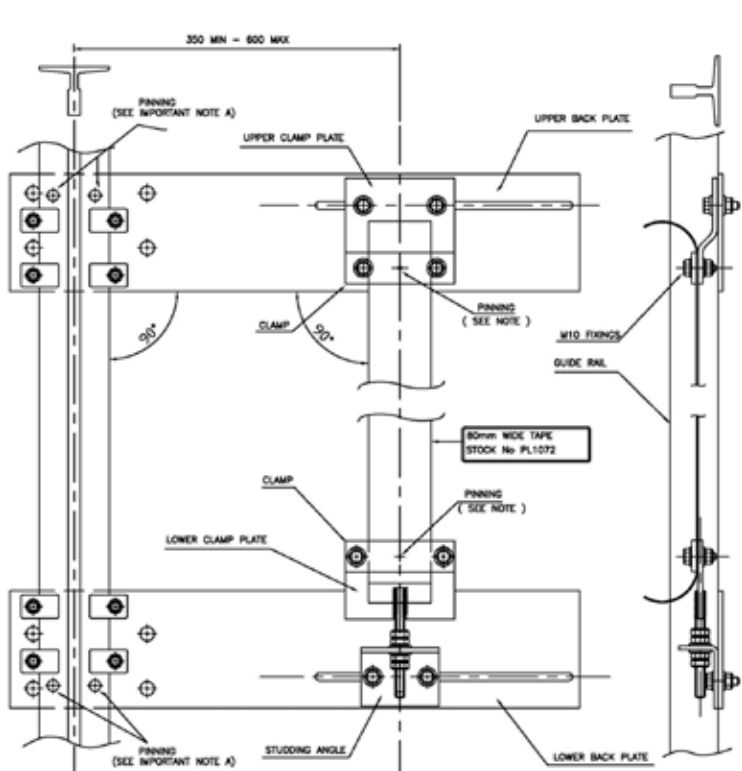
PL1071X



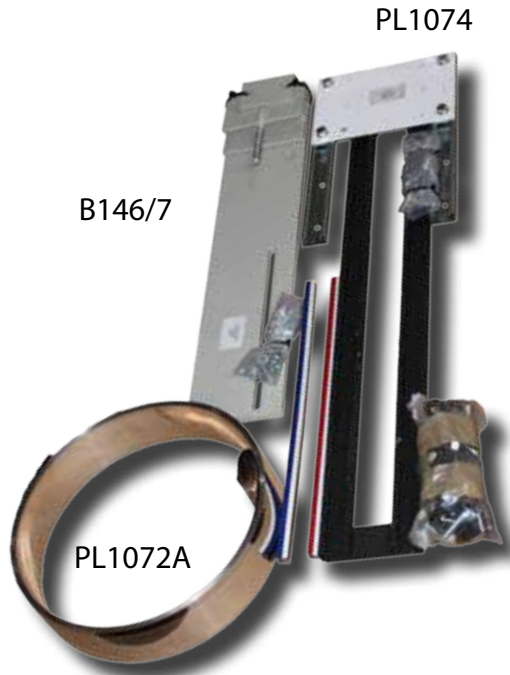
240/11VAC

TAPEHEAD FIXING KIT

ILE offers a full fixing solution for the steel guide tape as well as the tapehead itself. The tape head fixing kit consists of an anchor bracket, tapehead mounting bracket, bolt kit, guide clips, magnets and steel tape. This allows the tapehead to be securely fastened and the steel tape tensioned and fixed in position.



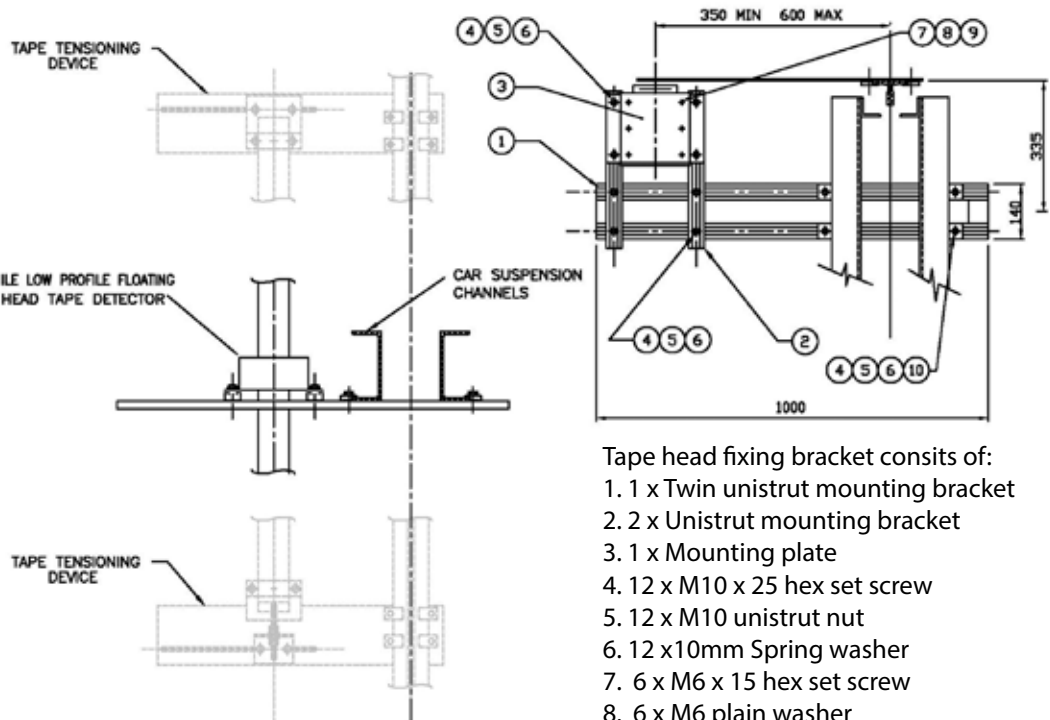
Tapehead tensioning device



PL1074

B146/7

PL1072A



Tapehead fixing bracket

- Tape head fixing bracket consists of:
1. 1 x Twin unistrut mounting bracket
 2. 2 x Unistrut mounting bracket
 3. 1 x Mounting plate
 4. 12 x M10 x 25 hex set screw
 5. 12 x M10 unistrut nut
 6. 12 x 10mm Spring washer
 7. 6 x M6 x 15 hex set screw
 8. 6 x M6 plain washer
 9. 6 x M6 spring washer
 10. 4 x Unistrut clip



London : 020 8527 9669
Leicester: 0116 269 0900



ilesales@interlift.co.uk



London Fax: 020 8531 0936
Leicester Fax: 0116 269 0939



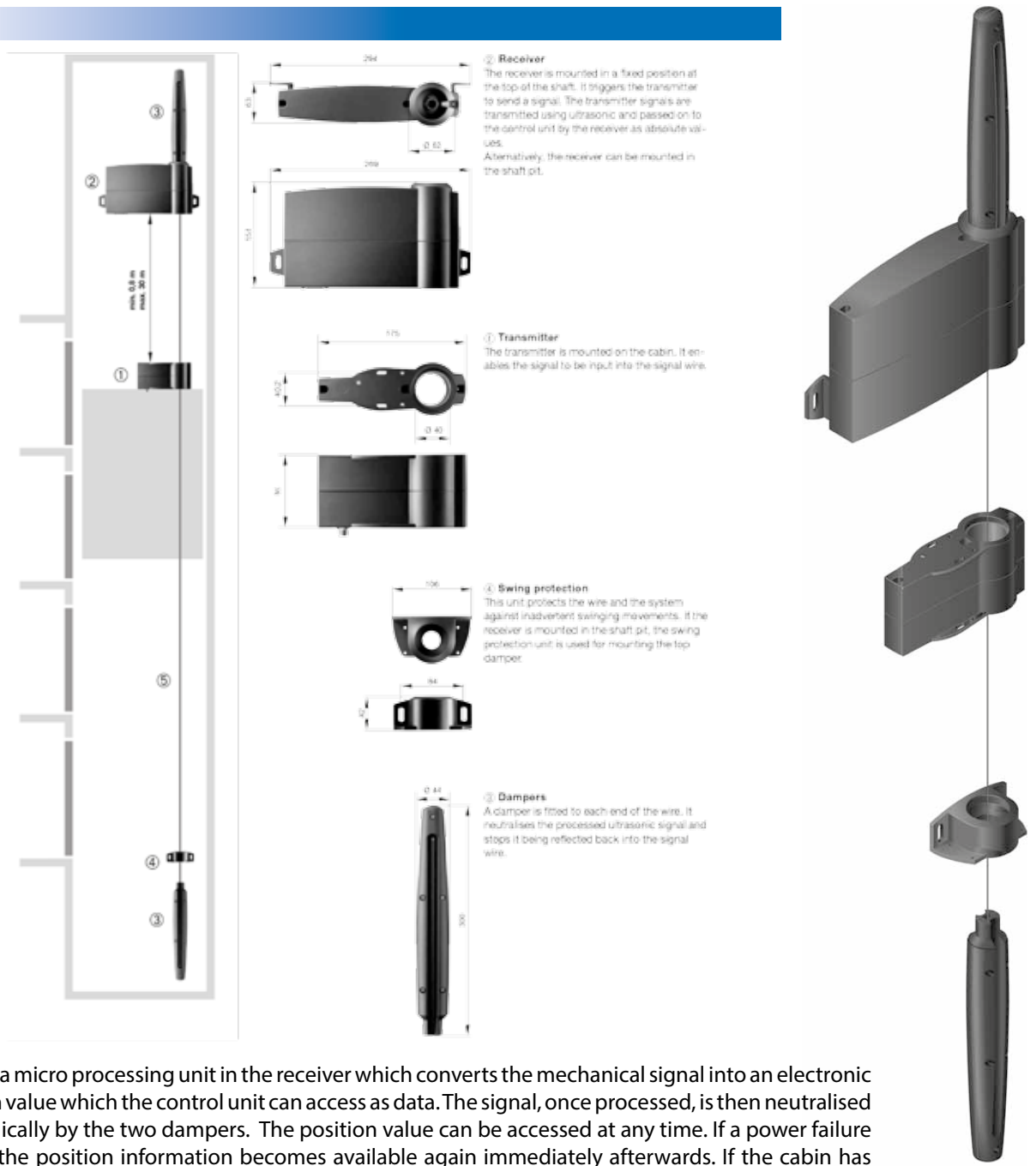
www.ileweb.com

SCHMERSAL ULTRASONIC POSITION SYSTEM

The ultrasonic position system USP uses a non-contact operating principle to position lift cabins. This principle is not based on conventional switching technology or common encoder systems and the USP is cost-efficient because of its simple design. This system is very technically advanced and is able to communicate with the very latest control systems.

Schmersal USP 30

The USP 30 is the most cost-effective solution for lifting heights up to 30 metres. The system comprises a transmitter, receiver, two dampers, swing protection and a signal wire. The transmitter is mounted on the cabin. The receiver can be fitted either in the shaft pit or the shaft head. A damper unit is fitted to each end of the signal wire. Setting up the system takes approximately one hour. The transmitter and receiver are connected via the trailing cable. On receipt of a signal from the receiver, the transmitter generates a contact-free ultrasonic signal in the signal wire. This signal spreads out along the wire towards the shaft head and pit.

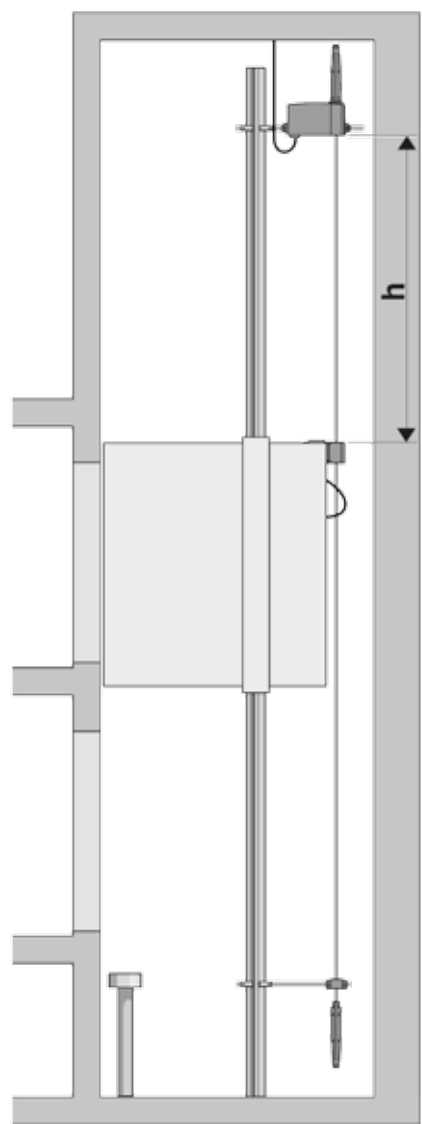


There is a micro processing unit in the receiver which converts the mechanical signal into an electronic position value which the control unit can access as data. The signal, once processed, is then neutralised mechanically by the two dampers. The position value can be accessed at any time. If a power failure occurs, the position information becomes available again immediately afterwards. If the cabin has descended, this is recorded and included in the position value. The position can be calculated precisely, even at high speeds, because the calibration of the lifting height is accurate to the nearest millimetre.

SCHMERSAL ULTRASONIC POSITION SYSTEM

Schmersal USP 100

The USP 100 is the best solution for lifting heights up to 130 metres. The USP 100 has the same components as USP 30, but with an additional integrated correction sensor. This is also mounted on the cabin and connected to the receiver via the trailing cable. Several actuating magnets are fitted along the hoist way, to provide additional position information about the lift cabin to the receiver. This additional information enables the system to compensate for position errors arising from building compression or expansion and extreme temperature fluctuations. The USP can communicate with the lift controller either directly or through the Parallel Interface (PI). In the latter case, the PI converts the absolute position values of the USP into 24V switching signals. Special software is used for supporting the calculation of the shaft copy.



⑤ Correction sensor (USP 100 only)
This sensor ensures that the USP 100 has a much higher level of accuracy and greater lifting height. It is mounted on the cabin and provides additional reference information to the receiver.



⑦ Actuating magnets (USP 100 only)
The actuating magnets are installed in the shaft at 5 positions at the most, for instance at the doorpost.

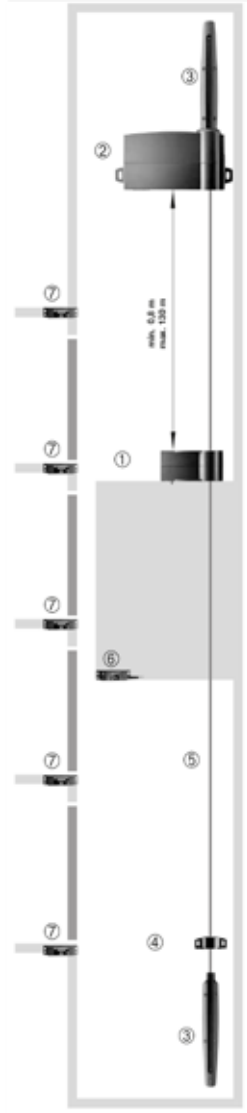
Accessories

- several screws, nuts and washers
- two C profiles
- four assembly brackets
- lug for transmitter bracket

With these mounting accessories, the system components can be fitted to the guide rails in the lift shaft using ordinary tools.



③ Signal wire
The wire is made of a material that has been specially developed for transmitting lift position system signals. It is available in various lengths from 10 m to 135 m in multiples of 5 m on a spool to aid installation in the shaft.



	USP 30	USP 100
h_{min}	0,8 m	0,8 m
h_{max}	30 m	130 m

Shaft Layout

Key Features

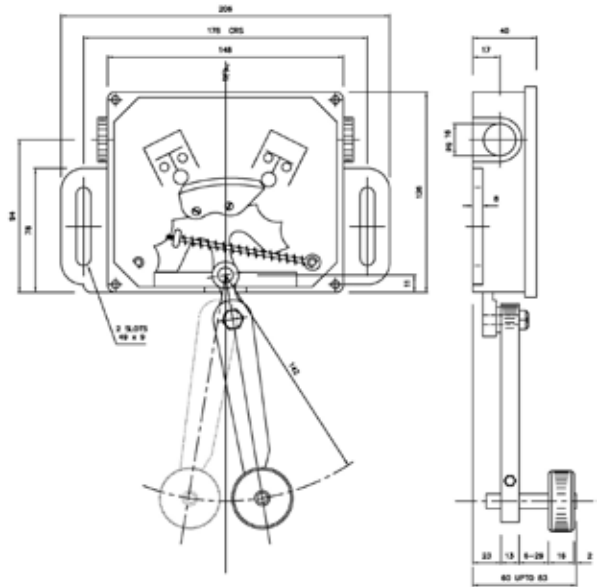
- hoist way calibration accurate to the nearest millimetre
- suitable for all conventional controller and lift systems
- range of speeds possible
- particularly suitable for use where short stopping distances required
- direct approach possible
- short assembly time
- no reference run required, even after a long power failure
- friction-free system

LIMIT SWITCHES & PRE-WIRED ARRANGEMENTS

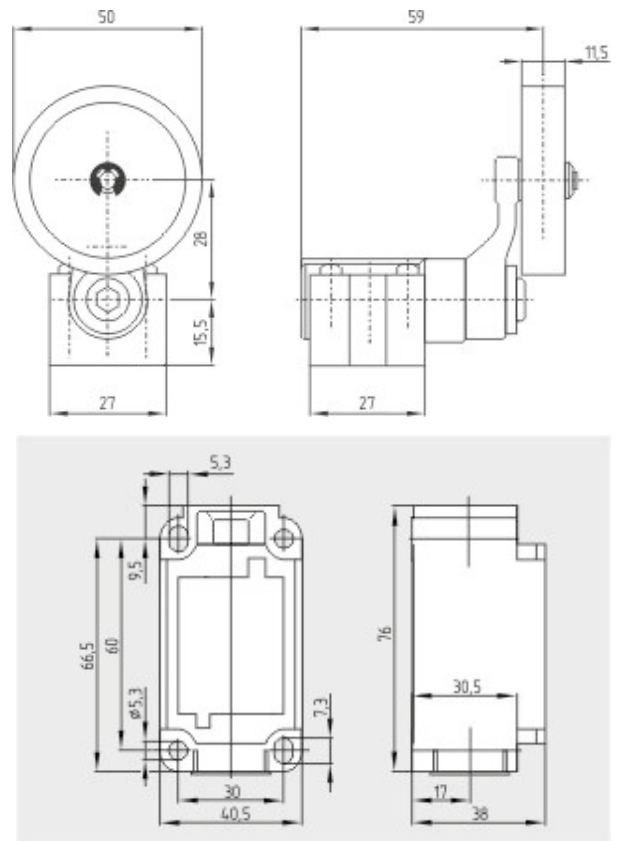
FES Limit Switch



PL1028



Schmersal Limit Switch



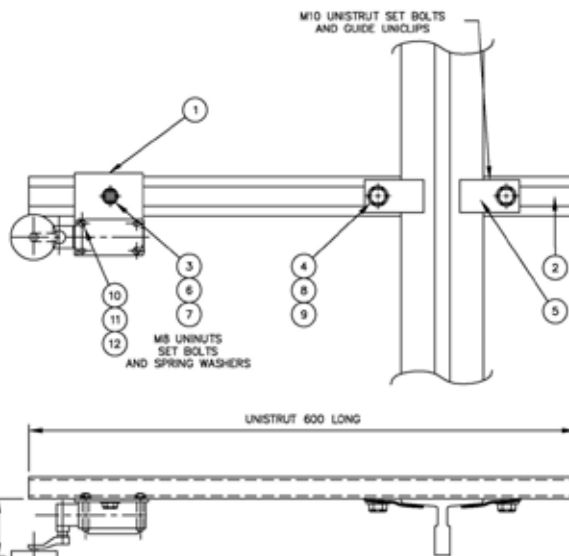
LIMIT SWITCHES AND KITS	ILE PART No.
FES Kronenberg 1320 double pole spring return	PL1028
FES Limit switch fixing kit	B128
Schmersal limit switch	PL1039A
Schmersal limit switch fixing kit	B112

LIMIT SWITCHES & PRE-WIRED ARRANGEMENTS

Pre-wired Limit Switch

- 3 or 4 limit switches pre-wired to terminal box
- Option of either FES or Schmersal limits
- Fully adjustable over 3 metres
- Attaches to guides with fixings provided
- Ideal for reducing expensive site installation time

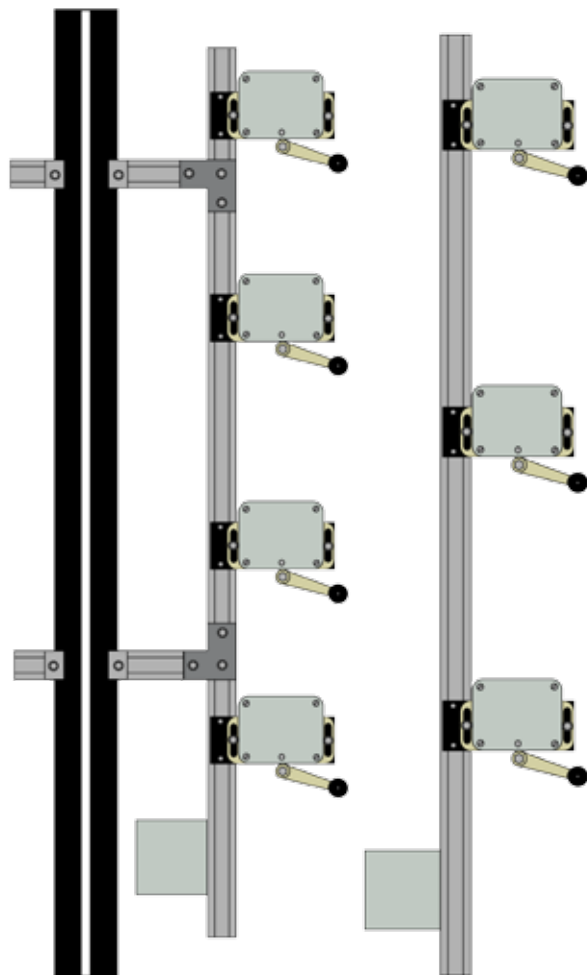
PRE-WIRED LIMIT SWITCH KITS	ILE PART No.
Pre-wired FES 3 + 4way	PL1001/2
Pre-wired FES 3 + 3way	PL1001/1
Pre-wired FES 3 + 1way CAN-X	PL1009/10
Pre-wired FES 4 + 2way Skycom	PL1013/14
Pre-wired Schmersal 3 + 4way	PL1003/4
Pre-wired Schmersal 3 + 3way	PL1003/3
Pre-wired Schmersal 3 + 1way CAN-X	PL1011/12
Pre-wired Schmersal 4 + 2way Skycom	PL1015/16



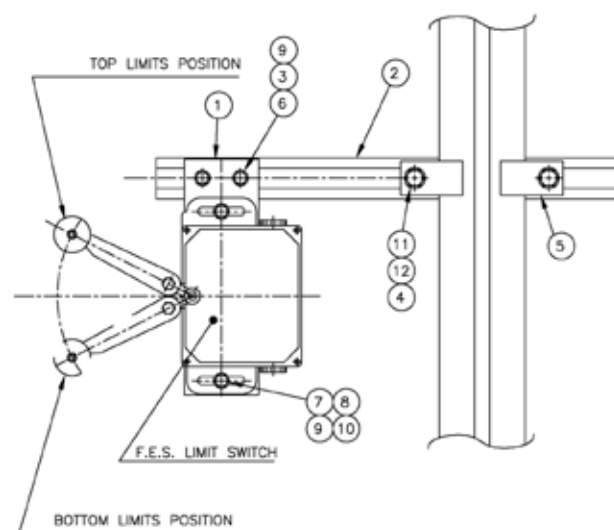
Schmersal Limit Assembly

Schmersal fixing kit comprises of:

- | | |
|----------------------|-------------------------|
| 1. Mounting plate | 7. 8 mm spring washer |
| 2. Unistrut 600 long | 8. M10 x 30 hex screw |
| 3. M8 Uninut | 9. 10 mm spring washer |
| 4. M10 Uninut | 10. 5 mm spring washer |
| 5. Uniclip | 11. M5 x 45 cheese head |
| 6. M8 x 20 hex screw | 12. M5 nut |



Pre-wired and assembled 3 and 4-way FES limit switch assembly



FES Limit Assembly

FES fixing kit comprises of:

- | | |
|----------------------|-------------------------|
| 1. Mounting plate | 7. M8 x 25 hex screw |
| 2. Unistrut 600 long | 8. 8 mm plain washer |
| 3. M8 Uninut | 9. 8 mm spring washer |
| 4. M10 Uninut | 10. 8 mm nut |
| 5. Uniclip | 11. M10 x 30 hex screw |
| 6. M8 x 20 hex screw | 12. 10 mm spring washer |



Schmersal style limits also available pre-wired

CAR TOP CONTROL

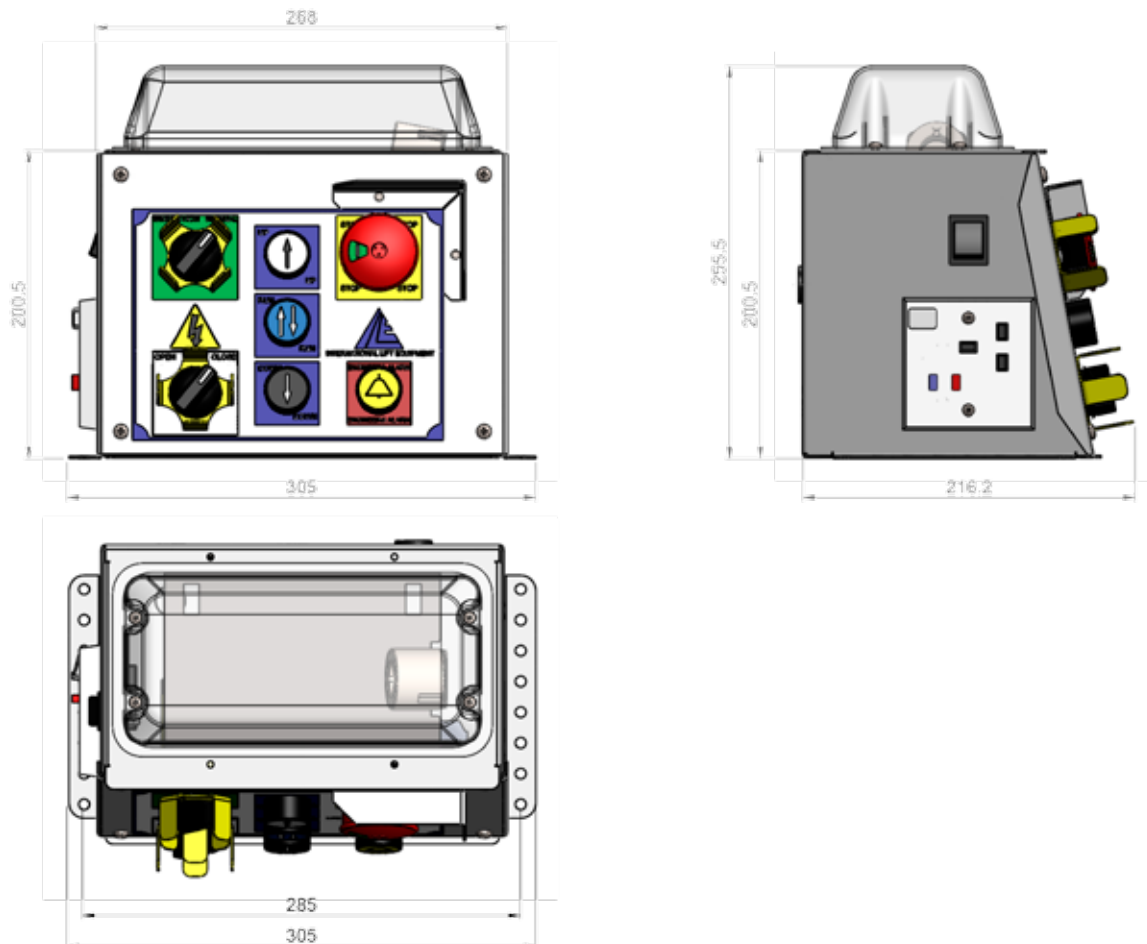
- EN81-20 Compliant
- Switched RCD socket outlet
- 50 mm emergency stop with flag indication
- Geometrically shrouded test/normal switch
- Geometrically shrouded door open/close switch
- Colour coded buttons and background. Illuminated (12/24V)
- engineers alarm button fitted as standard
- Bulkhead light and switch fitted as standard, capable of accepting energy saving light
- Facility for additional emergency stop button in rear
- All notices as stated in BS7255 fitted as standard
- Compact steel construction
- Multi conduit knockouts
- Captive fixings



PL117255S

CAR TOP CONTROL	ILE PART No.
BS7255 Car top control	PL117255S
CTCU + Emergency light and charger	PL117255EL*
Energy saving lamp	PL117255LP*
Additional emergency stop	PL117255ES*
Pre-wired to suit CAN-X control system	PL1320
Pre-wired to suit CAN-X control system with emergency light	PL1320EL

* Options



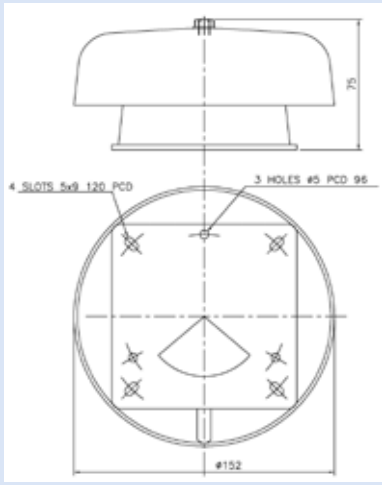
Car top technical details

ALARMS

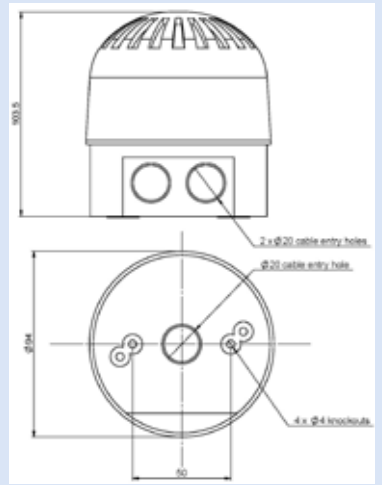
ALARMS	ILE PART No.
Gate open warning buzzer	PL1107A
Alarm bell 6inch 12V	PL1108
Alarm bell 6inch 6V	PL1109
Alarm Bell 6inch 24V	PL1118



PL1108



PL1107A

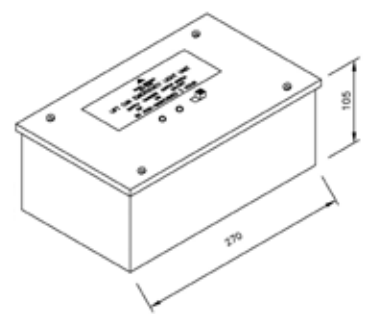
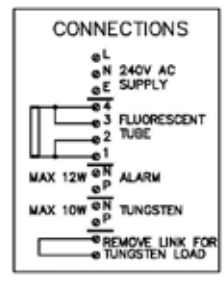
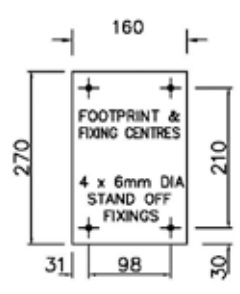


EMERGENCY LIGHT

- On/off switch for tube
- Supply "On" Indicator
- Charger "On" Indicator
- Battery charger with stabilised output voltage of 13.5v
- Operating time 3 hours from fully charged
- Battery protection circuit stopping battery voltage from dropping below 8v
- Full recharge time from 8v to max in 24hrs
- Inverter protection fuse 2A rated
- Mains protection fuse 1A rated
- Alarm protection fuse 1A rated
- Tungsten protection fuse 1.6A rated



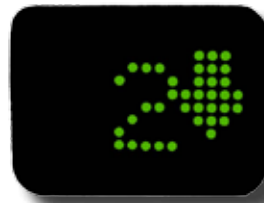
PL0603



DOT MATRIX INDICATORS

Dot Matrix Digital Indicators

- Reduced wiring via CAN serial comms technology
- 60 pre-defined floors and 7 messages as standard
- Discrete and Binary switchable inputs
- Site re-programmable via laptop or Skycom control system if required
- Scrolling position, direction and message indication
- Relay output for hall lantern and arrival gong
- User defined characters (make your own)
- Red, green or blue display 48 or 60mm
- Available as vandal resistant pre-mounted in box
- Compatible with ILE speech synthesiser
- EMC compliant
- EN81-70 DDA compliant



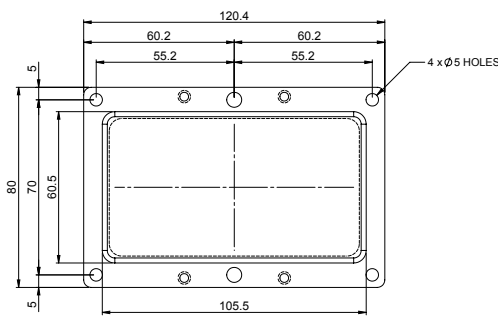
PL1197G



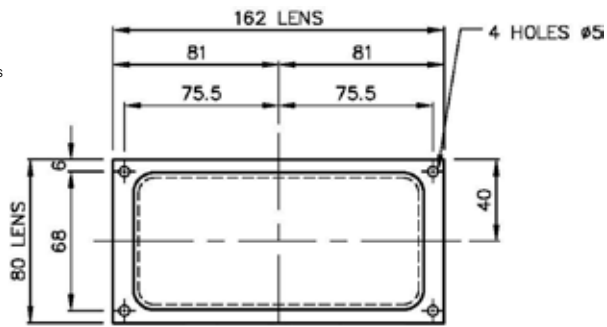
PL1198R



PL1197B



48mm Lens



60mm Lens

Indicator lens dimensions

DOT MATRIX DIGITAL INDICATORS		ILE PART No.
48mm Serial comms dot matrix digital indicator	10-30 VAC/DC	PL1197G/R/B*
60mm Serial comms dot matrix digital indicator	10-30 VAC/DC	PL1198G/R/B*
Serial comms control unit		PL1192

Available in Red/Green/Blue

Available separately or pre-mounted in standard or bespoke housings



PL1197



PL1198

LCD & TFT INDICATORS

LCD Digital Indicators

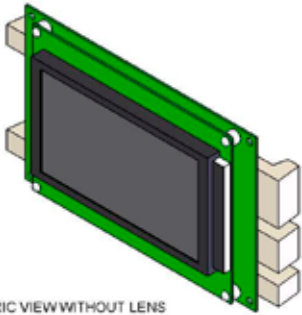
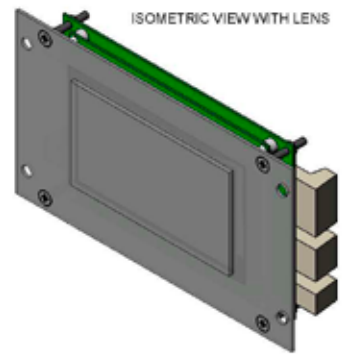
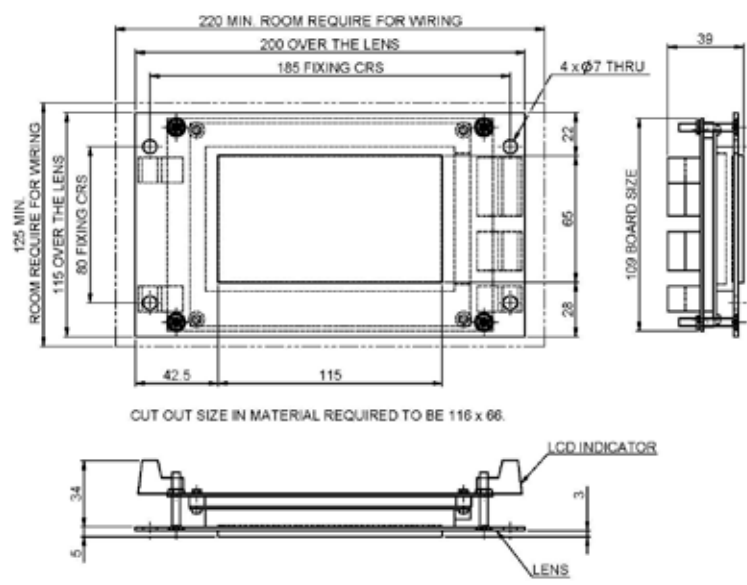
- High definition LCD indicator: 40mm floor designations
- Colour options of black on white /white on black/blue on white/white on blue
- Reduced wiring via serial control (CAN)
- Fully site programmable
- Displays positions, scrolling direction arrows' static hall lanterns
- Up to 7 messages
- 2 character floor designations
- Static messages up to 60 characters long
- Arrival gong option
- Available separately or in stainless steel angled box for surface mounting
- Horizontal mounting



Part No. PL1188BLU

LCD INDICATORS	ILE PART No.
BLUE / WHITE OR WHITE / BLUE LCD INDICATOR	PL1188BLU
BLACK/WHITE OR WHITE/BLACK LCD INDICATOR	PL1188BW

LCD Indicator



LCD Indicator technical detailing

TFT Indicators



3.5" TFT-PL1180

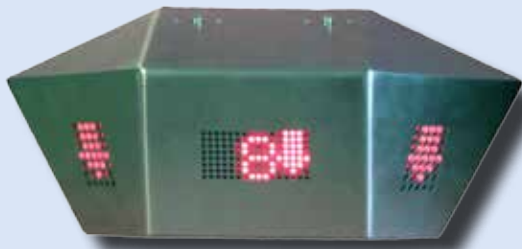


4.3" TFT-PL1181



5.7" TFT-PL1182

DOT MATRIX & LCD SURFACE MOUNTED INDICATORS



PL1186 VR R



PL1188BLUBOX

SURFACE MOUNTED 3D ANGLED INDICATOR		ILE PART No.
3D Angled Indicator station 40 mm	Indicator (Vandal Resistant)	PL1186 VR G/R

SURFACE MOUNTED LCD INDICATORS		ILE PART No.
Blue/White or White/Blue LCD Indicator		PL1188BLUBOX
Black/White or White/Black LCD Indicator		PL1188BWBOX

DOT MATRIX PRE-MOUNTED INDICATORS		ILE PART No.
Angled Indicator Station 48 mm	Indicator (cutout)	PL1197 STA G/R/B
	Indicator (Vandal Resistant)	PL1197 VRA G/R/B
Flush Mount Indicator Station + Box 48 mm	Indicator (cutout)	PL1197 ST G/R/B
	Indicator (Vandal Resistant)	PL1197 VR G/R/B
Angled Indicator Station 60 mm	Indicator (cutout)	PL1198 STA G/R/B
	Indicator (Vandal Resistant)	PL1198 VRA G/R/B
Flush Mount Indicator Station + Box 60 mm	Indicator (cutout)	PL1198 ST G/R/B
	Indicator (Vandal Resistant)	PL1198 VR G/R/B

When ordering add: G = Green, R = Red, B = Blue

Special indicator displays of varying lengths i.e. 720 mm, 960 mm, 1440 mm with 60 mm characters available on request.



PL1197STAR



PL1197VRAG

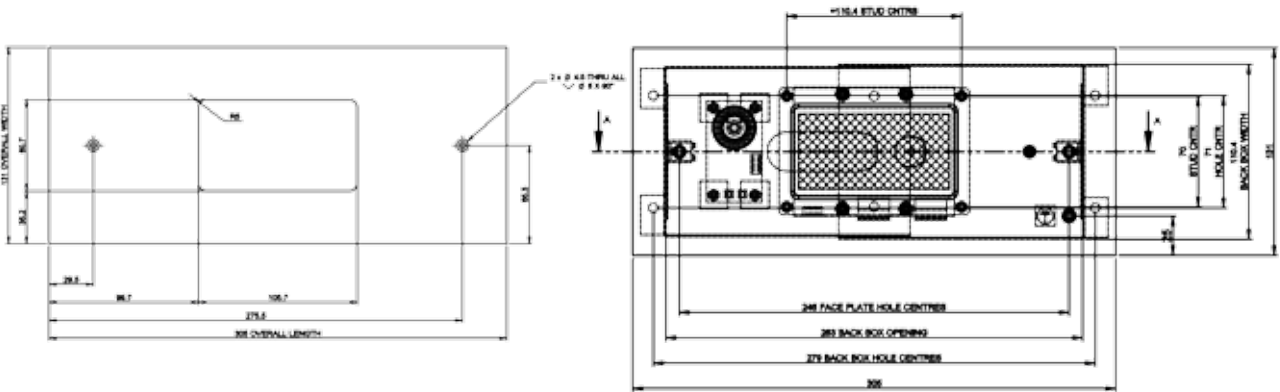


PL1197STAB

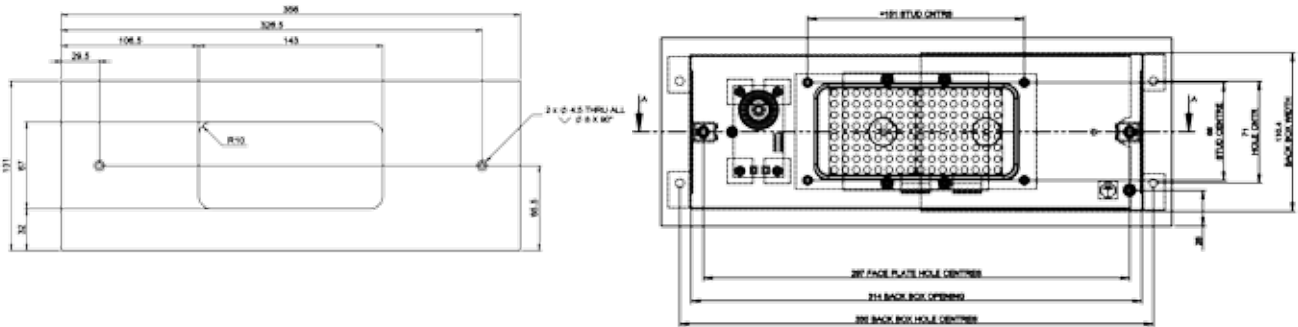
INDICATOR HOUSINGS

Indicator Housing Technical Detailing

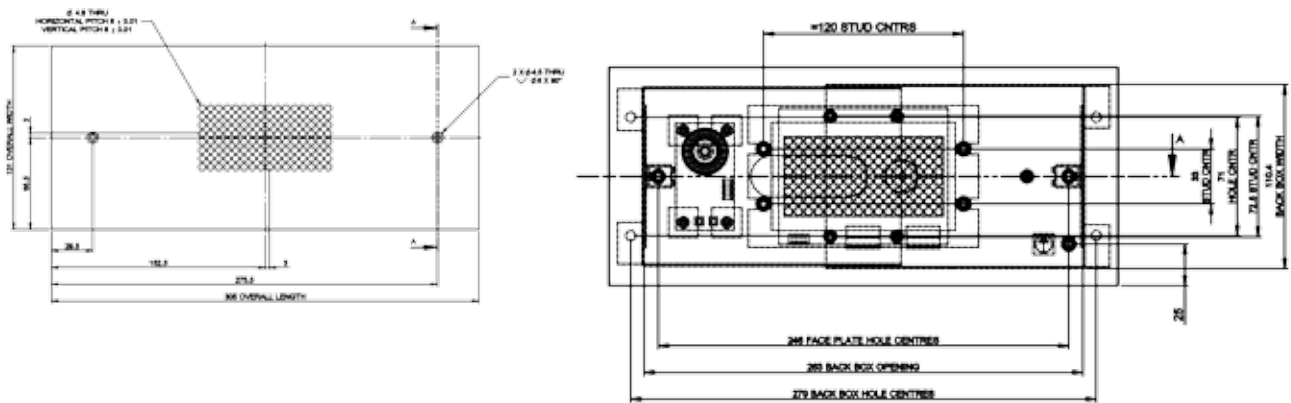
48mm Standard Indicator



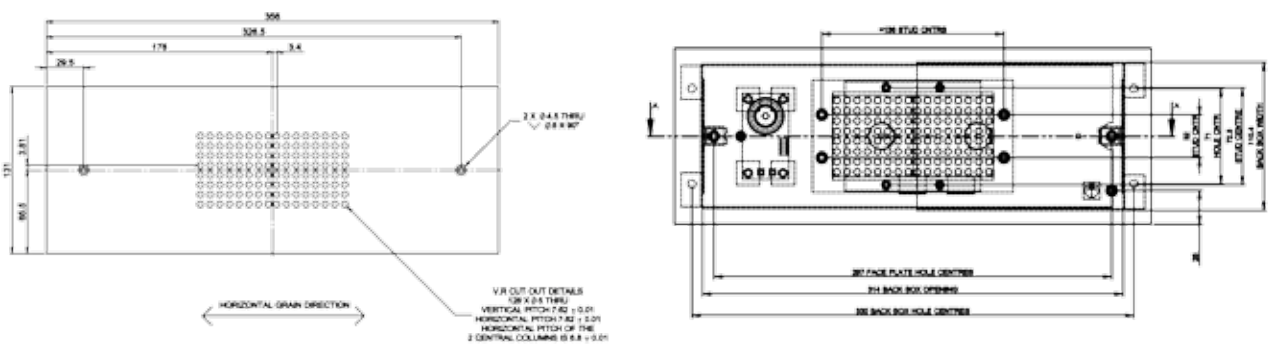
60mm Standard Indicator



48mm Vandal Resistant Indicator



60mm Vandal Resistant Indicator



TFT INDICATORS

The new full colour ILE TFT Indicator range offers versatility and can be fully customised.

Facilities offered include:

- Car Position
- Direction arrows
- Scrolling arrows
- Hall lanterns
- Messages
- No Entry sign
- Floor arrival messages
- Time & Date - 12/24 hour clock



5.7" TFT In Angled Box- PL1182B



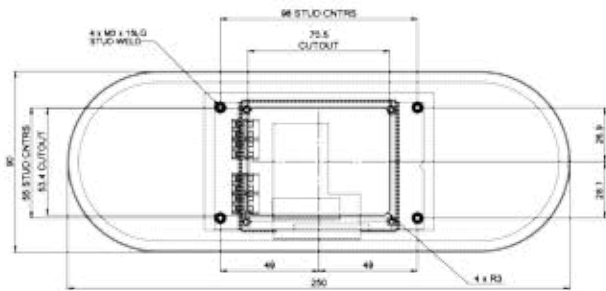
4.3" TFT In Beetle Box- PL1181B

The displays can be branded, incorporating a logo or a building name as part of the background, equally, direct from the controller the background and foreground colours along with messages, fonts and floor designation are programmable on site.

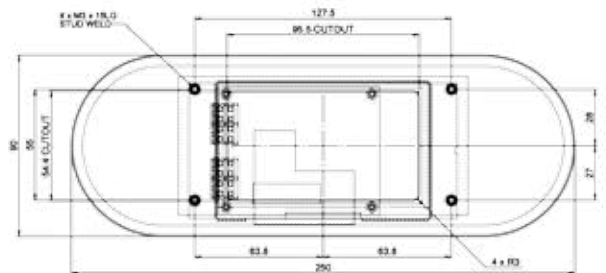
The TFT Indicator can also control other ILE peripheral devices such as, slimline gong, single digit display, and relay board.

Size options are 3.5", 4.3", 5.7" displays, all available in either portrait or landscape orientation.

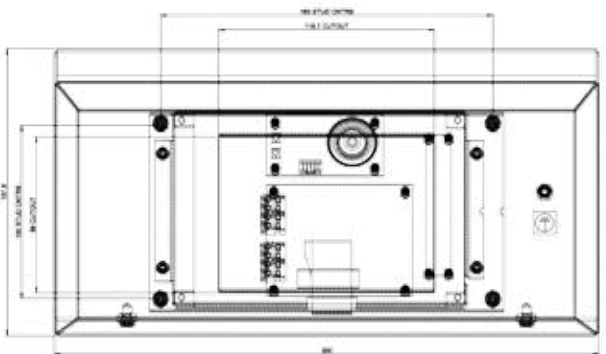
TFT INDICATORS



3.5" TFT In Beetle Box- PL1180B



4.3" TFT In Beetle Box- PL1181B



5.7" TFT In Angled Box- PL1182B

Power Supply, Input & Output Specifications

Power supply & input voltage range	=	12 - 30V A.C. or D.C.
Power supply peak current 3.5" TFT	=	@12V 80mA, @24V 50mA
Power supply peak current 4.3" TFT	=	@12V 90mA, @24V 60mA
Power supply peak current 5.7" TFT	=	@12V 280mA, @24V 150mA

The configuration switches (1-10) determine the devices position within the installation for correct allocation of hall lanterns / arrival gongs. The position is set by allocating a standard binary address to identify floor position. Switch 10 enables the on board terminating CAN resistor, this feature allows correct allocation of terminators once the installation is complete.

The external device connector allows connection of the single digit displays (Side arrows), slim line arrival gong (Multi tone), and the indicator relay board (Two N/O Volt free relay contacts). These additional devices are all controlled directly by the indicator.

TFT INDICATORS		ILE PART No.
3.5" TFT	Indicator (cutout)	PL1180
4.3" TFT	Indicator (cutout)	PL1181
5.7" TFT	Indicator (cutout)	PL1182
3.5" TFT INDICATOR IN BEETLE BOX	Indicator (cutout)	PL1180B
4.3" TFT INDICATOR IN BEETLE BOX	Indicator (cutout)	PL1181B
5.7" IN ANGLED BOX	Indicator (cutout)	PL1182B

ILE EPSILON LED LIGHTING

The Epsilon lighting units have been designed primarily as a replacement car lighting system which allows the upgrade of existing fluorescent lighting systems with minimal modifications to the car roof.



L.E.D. Light Unit

The LED flat panel car light is fitted with a 316 Grade stainless steel surround providing a tough yet stylish housing for the LED panel.

The LED's provide a cool white light output, arranged along both sides of the unit at a maximum of 10mm apart and diffused to give a consistent and equal light output over the whole unit whilst preventing spotting.

The working life of the LED's is at least 35000 hours with a minimum light intensity of 100 lux at floor level and on the control devices as per EN81 and DDA requirements.



LED Light Fixings

The light is powered via a separately fused 240V supply which also supplies a battery back-up to operate the LED's at 12VDC. This battery back-up maintains the lighting supply for a minimum period of 3 hours upon mains failure. Upon restoration of the normal mains supply, the battery(s) fully recharge within a period of 14 hours.

The unit comes complete with fixing kit allowing fitment to existing apertures whilst ensuring easy and quick installation.

The light unit contains a 3mm white opal Acrylic diffuser and a 2mm clear Polycarbonate front which is vandal resistant and fire retardant. The housing is a stainless steel tray assembly, the fixings of which are only accessible from the roof of the car. The entire unit will not protrude more than 30mm into the car.



Exploded View

The lighting system incorporates a PWM controlled dimming feature to save energy and extend the life expectancy of the LED'S by entering a low power standby state.

When the lift is not in use, after an adjustable period of time, the lights will dim and return to full brightness when the doors open via a proximity sensor, as supplied with the system.

The power supply comes enclosed in a separate 300 x 300 x 200 steel vented cabinet. This is lockable and robust to protect the internal circuitry and can be easily mounted to the top of the lift car.

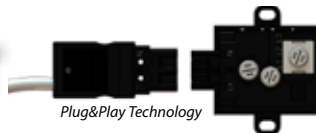
These lights are available in various sizes enabling the it to replace a large range of existing light systems.

The lights are available as either ceiling or side panel variants, both of the same specification.

LED LIGHTING PANEL	
Operating Voltage	12V dc
Operating Current	3 Amp
Light Output at Surface	10,000 LUX
POWER SUPPLY	
Nominal Input Voltage	110 - 230 VAC
Inrush Current (Vn-In)	Cold Start 35A @115VAC 70A @ 230 VAC
Frequency	47 - 63Hz
Internal Fuse	T 3.15A
Voltage Range	90 ~ 264 VAC / 127 ~ 370 VDC
Overload	105 ~ 150% Rated Output Power
AC Current (Typ.)	2A @ 115 VAC/ 1.2A @ 230 VAC
Efficiency Minimum	86%
Short Circuit Protection	Yes
Overload Protection	Yes
Over Voltage Output Protection	Yes
Reverse Battery Protection	Yes
Ambient Temperature Op	-20 to 70°C
Working Humidity	20 ~ 90% RH
SIZES	
Ceiling Light (Standard Size)	1070 x 300 (Overall Unit)
Side Light (8 Person Lift Car)	149 Standard Width x Measurement Required (Smallest Size = 1210)
Side Light (13 Person Lift Car)	149 Standard Width x Measurement Required (Smallest Size = 1885)

For any other sizes please contact ILE for a quotation.

ILE SHAFT LIGHTING KIT

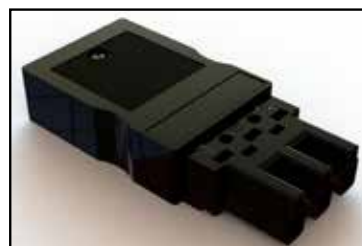
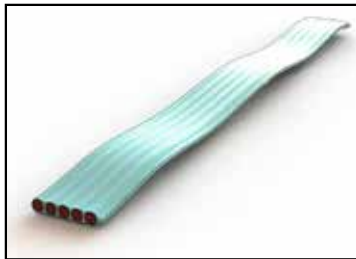
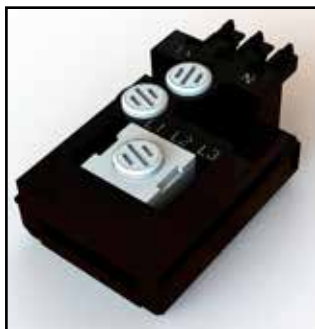


ILE proudly bring to you their all new, plug & play shaft lighting kit. The kit offers a full shaft lighting solution, pre-wired and ready for installation in a plug and play format. This allows for greatly reduced installation times and easier installation saving both time and money.

The shaft lighting kit comprises of the following components:

1. 4ft fluorescent shaft light (quantity dependant on overall shaft height)
2. RCD pit socket outlet
3. Pit shaft light push button (latches via ILE Can-X MRL controller) or switch
4. Wiring loom
5. The latest WINSTA© connectors are used for easy installation
6. Light fixing bracket
7. Cable fixing clip
8. Cable

* Emergency Lighting and LED tubes available as an option

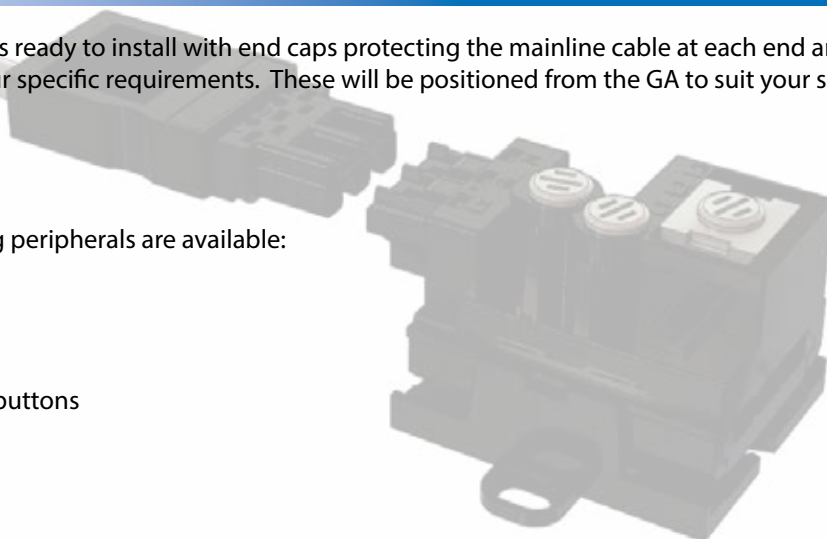


All plugs, cable clips and light brackets provided

The main wiring loom comes ready to install with end caps protecting the mainline cable at each end and connectors ready to suit your specific requirements. These will be positioned from the GA to suit your specific site requirements.

Connectors for the following peripherals are available:

- Shaft Lights
- Socket Outlets
- Motor Room / Controller
- Shaft Light Switches / Push buttons



INSTALLATION GUIDE

The installation of ILE's shaft lighting is undertaken in 4 simple stages:

Stage 1.

Fix the mainline flat shaft lighting cable (5 core flat) to the top of the lift shaft in a suitable position for the shaft lights to pick up (all fixings supplied)

This should then be fixed securely all the way up the side of the shaft using the supplied cable clips.

Stage 2.

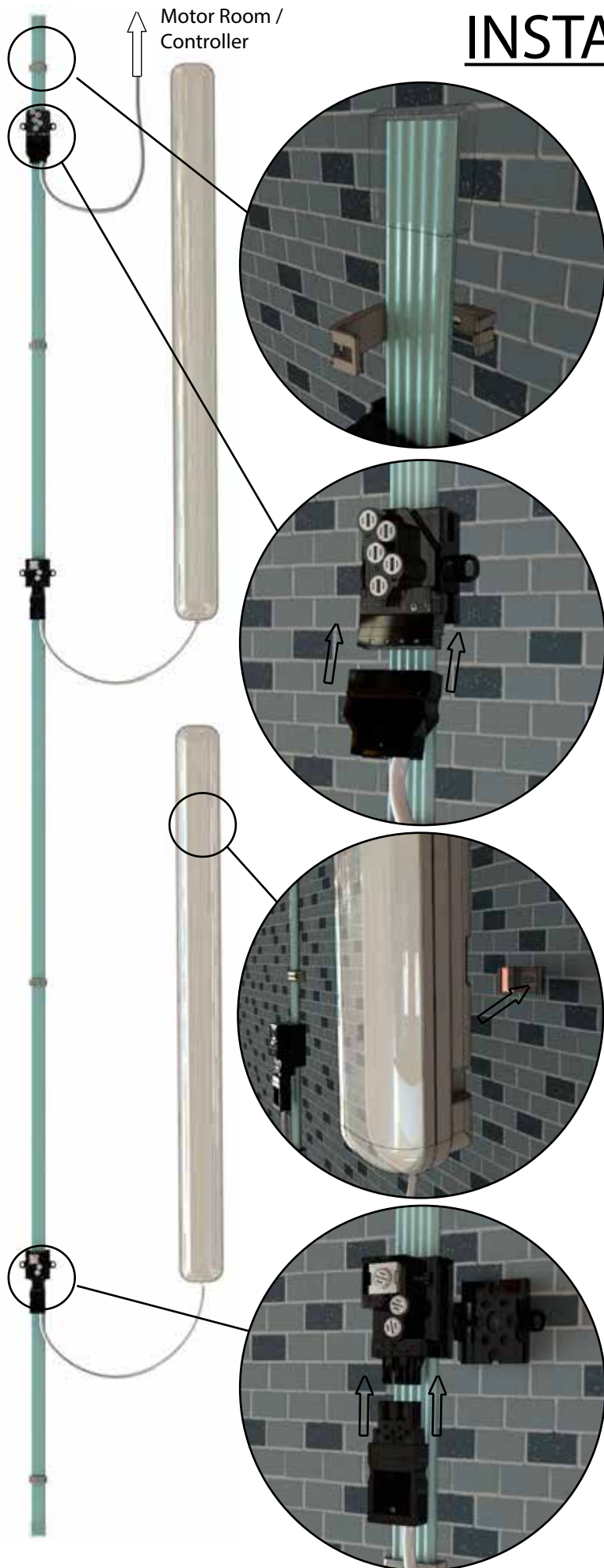
Connect the mains feed to the shaft wiring loom from the motor room distribution board or control panel (i.e.MRL)

Stage 3.

Mount the shaft light fixing brackets to the relevant place in the shaft, ready to attach the lights themselves to (lights supplied with 1 mtr cable)

Stage 4.

Plug in your accessories, these could be lights, light switches or socket outlets.



SERIAL SPEECH UNITS

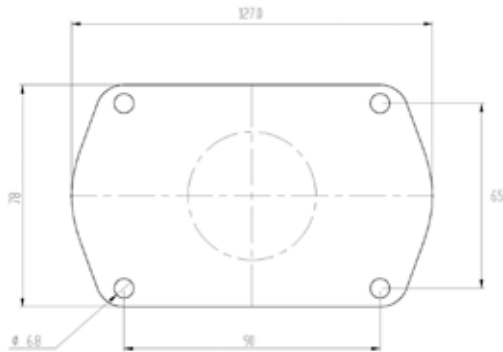
- ILE serial comms speech synthesiser 12-24VAC/AC complete with 5V 8 ohm speaker
- Standard phrases:
 Sub basement floor
 Lower basement floor
 Basement floor
 Lower ground floor
 Ground floor
 Levels 1-20 and -2, -1,0 etc
 Going up
 Going down
 Please mind the doors
 Lift overloaded
 This lift is under fire control operation
 This lift is under evacuation control operation
 This lift is under priority service
 Lift out of service
 The alarm has been activated
- Large vocabulary library available, please contact ILE for special versions
- Site re-programmable via laptop or Skycom control system if required



Serial comms control unit PL1192

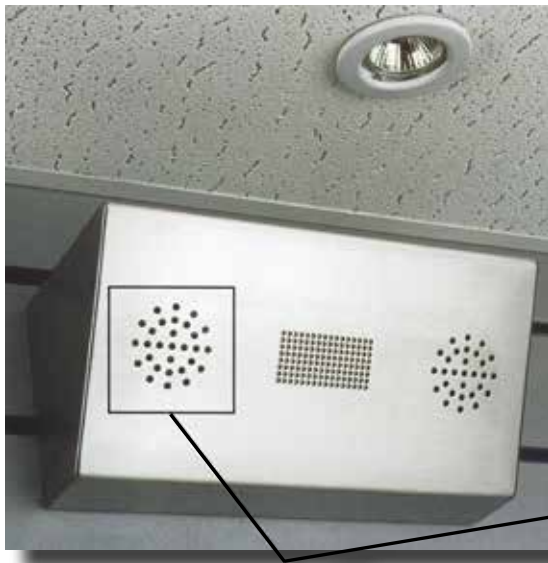


Serial speech unit PL1193

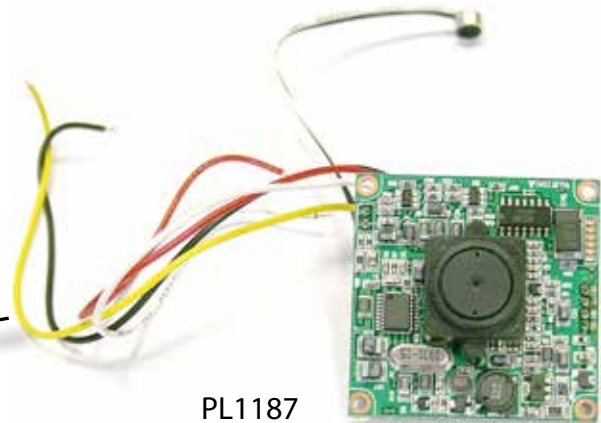


Speaker Dimensions

PINHOLE CAMERA

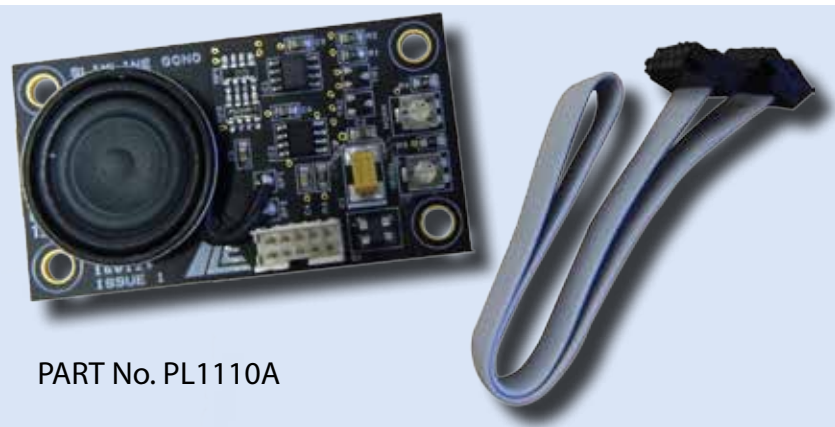


SERIAL SPEECH UNITS & SPEAKER	ILE PART No.
Serial speech / indicator control unit	PL1192
Serial speech unit & speaker	PL1193
Pinhole camera and supply	PL1187
Pinhole camera mounted in angled station box	PL1187STAT



PL1187

ARRIVAL GONG



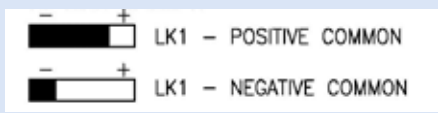
PART No. PL1110A

Power supply and input voltage range: 9-30v AC/DC
 Power supply peak current: 500mA
 Power supply standby current: 5mA
 Input circuit peak current: 50mA @ 30v

The ILE arrival gong can be wired to give the following outputs:

Positive Negative Switching (LK1)

Link (LK1) can be in two positions to give a positive or negative input common to the input circuitry.



i) Single/ Pulsed gong: the single tone sound is activated via IP1. The term pulsed means that the input is interruptible and the tone can be re-started when the input is pulsed again. This is used when the direction of the lift is announced as a number of pulses i.e. one "Bing" for the Up direction and two "Bings" for the Down direction.

ii) Two-Tone gong the two tone sound is activated via an input to IP2.

External Speaker

An external speaker may be connected in place of the speaker supplied, this must be 8OHM, 0.5W

iii) Three-Tone gong the three tone sound is activated via an input to both IP1&2. (Link IP1&2 as required)

CALL RECOGNITION SOUNDER



PART No. PL1140

Power Supply: 9-30VDC
 Consumption: 12VDC = 9mA
 24VDC = 12mA

Mounting

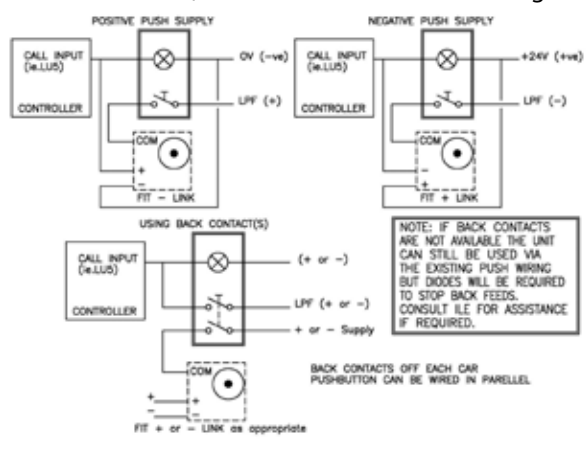
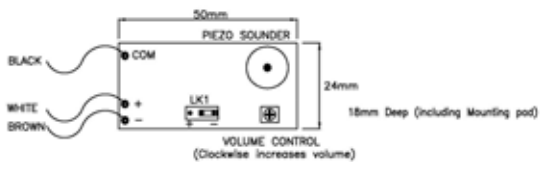
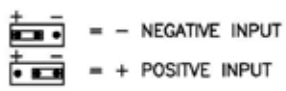
The unit is designed to mount inside the push box. The rear of the P.C board is affixed with a self adhesive backing.

Wiring

The ILE Call Recognition Sounder can be wired to suit either Positive or Negative Call Switching systems dependant on what control system it is being used with. The unit can also be used without interfacing to the existing call circuit by using back contacts on call buttons (ideal solution for Car Call Recognition).

Negative / Positive Switching (LK1)

Link LK1 can be set to suit either positive or negative input.



DDA INDICATOR / SPEECH INTERFACE SYSTEM

This system is designed to interface with ILE indicators and speech units, (required under the DDA legislation) which can be installed to an existing lift installation without necessity to modify the existing control panel.

As part of the lift compliance (EN81-70) to the DDA Act, a lift should have position indication both visual and audible fitted. We recognise that to retro-fit indicators and voice synthesiser to an existing lift installation would normally require modifications to the existing control system. These modifications require a high degree of technical knowledge to complete, and in some cases would not actually be possible. For example, a lot of modern lift package equipment utilises serial communication (2/4 wire) for wiring into the pushes and indicators and it is therefore not possible to pick up supplies for new equipment.

Our solution has been to develop a package that allows for the introduction of ILE indicators and ILE speech synthesiser to give floor indication, without the need of modifying the control circuits. This is achieved primarily by the installation of a tapehead detector and connected in conjunction with a relay interface system to give the appropriate signals. The only connections required from the existing controller is a 240v AC supply.

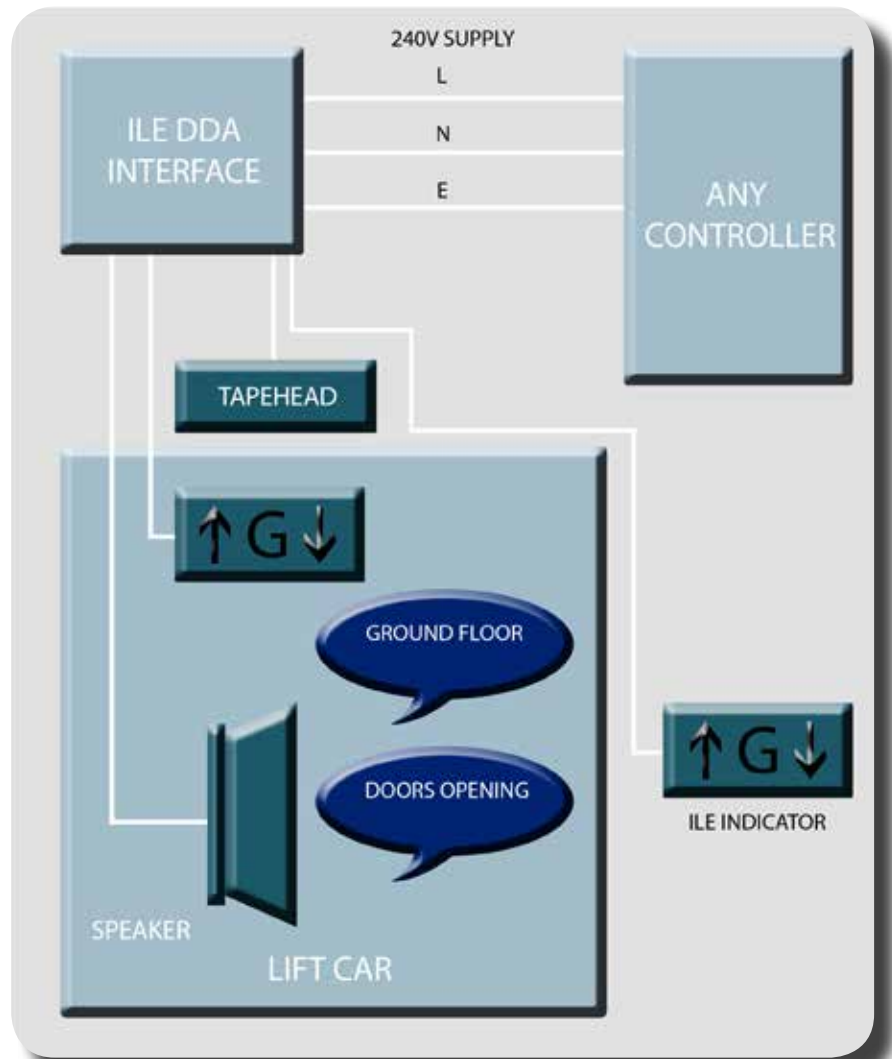
System Features

Serial comms control unit PSU an signal interface PCB in GRP enclosure

- 240V 8 way tapehead
 - 80 mm wide S/ST tape
 - Magnets
 - Tapehead mounting kit
 - Tape tensioning kit
 - Trailing cable x 1 @ 20 way
- TO BE ORDERED SEPARATELY
- Position / direction indicator
 - Speech synthesiser

This system does not operate car or landing arrows, for the next direction of travel or a two tone arrival electric gong. For these facilities interfacing with the existing control panel will be necessary. Full message facility is available via the serial comms power unit, however interfacing to the existing control panel is necessary.

DDA SYSTEM	ILE PART No.
3 Floor system	DDA MR3
6 Floor system	DDA MR6
10 Floor system	DDA MR10

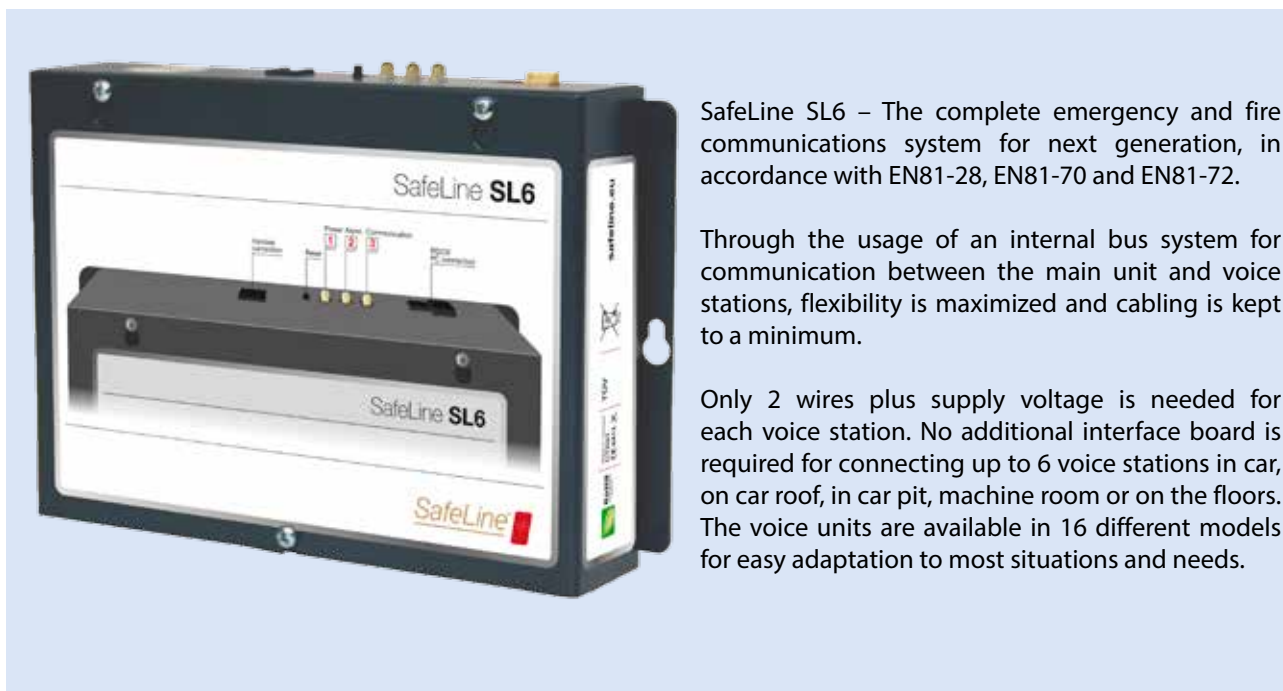


AUTODIALLERS

SAFELINE LIFT EMERGENCY TELEPHONE SYSTEM

Our main system on offer is the SL6 although the full range of safeline products is available. It is a two wire serial bus system with built-in supervised battery and the ability to have PSTN and GSM installed in one unit at the same time. Up to 6 stations allow communication inside the building, the modem function allows data communication to remote places with future-safe technology.

Car units are available for surface mount, flush mount or behind COP with options for emergency light. Detailed documentation and technical support in various languages is part of the package.

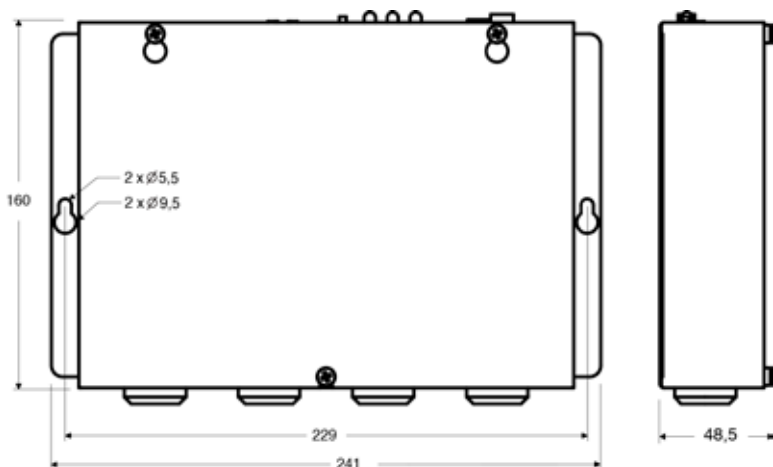


SafeLine SL6 – The complete emergency and fire communications system for next generation, in accordance with EN81-28, EN81-70 and EN81-72.

Through the usage of an internal bus system for communication between the main unit and voice stations, flexibility is maximized and cabling is kept to a minimum.

Only 2 wires plus supply voltage is needed for each voice station. No additional interface board is required for connecting up to 6 voice stations in car, on car roof, in car pit, machine room or on the floors. The voice units are available in 16 different models for easy adaptation to most situations and needs.

The system is NGN-safe which enables compatibility with VoIP equipment today as well as tomorrow. With built-in support for fireman's intercom and the possibility to connect a unit with keyswitch, SL6 complies with the requirements in EN81-72.



The integrated battery backup system ensures continued operation despite a power outage. A condition test is performed on a regular basis and the unit will send an alarm if the battery needs to be replaced. SL6 can also be used for sending detailed

information from the controller to SLCC and is using a patented communication solution, specially designed for sending data over the GSM speech band.

CAR OPERATING STATIONS



ILE design and manufacture their own Car Operating Panels, which are ideal for modernisation or new lift installations. Their COP's are made from 2mm 304 grade stainless steel. Though there is also an option for 316 grade.

ILE offer their COP's with the option of being full or half height and vandal resistant.



All COP's are offered as populated or un-populated.

ILE indicators are available in 48 or 60 mm in Green, Red or Blue. Alternatively, the ILE LCD indicator can be used displaying white text with a blue background or visa versa. TFT indicators are also available. The COP is engraved to suit customer requirements and can include a mixture of colours, text and images including company logo's.

With respect to the fixtures, ILE offer a range of buttons, auto-diallers, induction loops, key switches etc so that compliance with any specification can be achieved relatively easily.

As a further benefit of purchasing a COP from ILE, landing stations and angled indicators can be purchased at the same time allowing the customer to create the perfect bespoke package for the required installation. This package would be fully compliant with EN81-70.



At ILE we understand that not all installations are the same and that your criteria may differ, so we also offer bespoke solutions where we will design and manufacture to satisfy your requirements.

LANDING OPERATING STATIONS

Full range of landing operating stations are available for either surface or flush mounting. We offer both standard sizes or bespoke design to suit the installation requirements. Options to suit different finishes e.g. s/st, brass etc and various push buttons available.



STD230 - Standard
STD291 - CANX



STD233 - Standard
STD292 - CANX



STD233 - CANX



STD393 - CANX



STD224 - Standard
STD289 - CANX



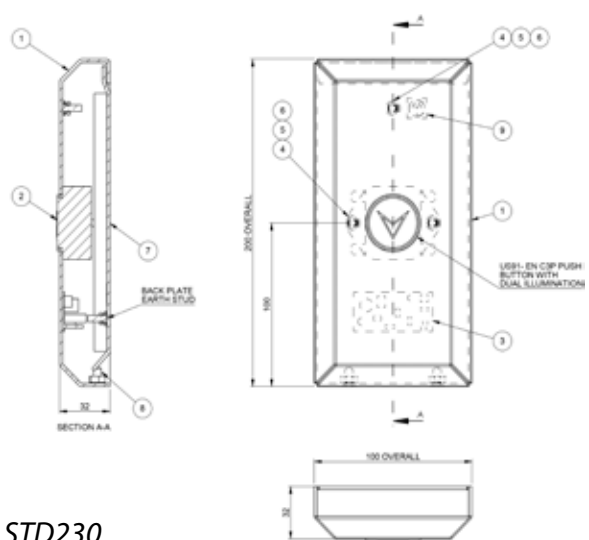
STD225 - Standard
STD290 - CANX



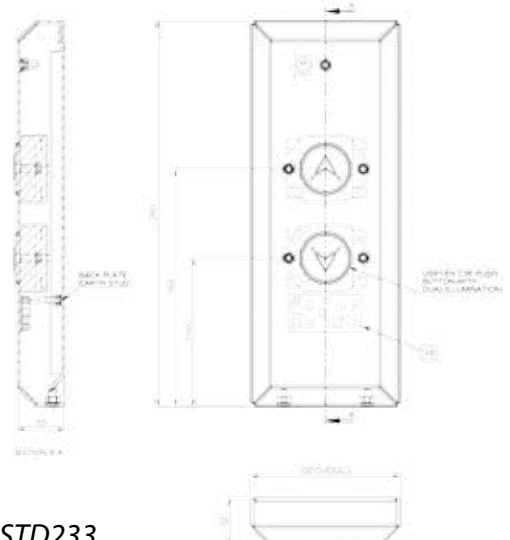
Double Beetle Station



Single Beetle Station



STD230



STD233



London : 020 8527 9669
Leicester: 0116 269 0900
ilesales@interlift.co.uk

London Fax: 020 8531 0936
Leicester Fax: 0116 269 0939
www.ileweb.com

VANDAL RESISTANT - ATLAS CAR

ILE have specifically developed this lift car in conjunction with a major London Borough to offer the highest possible level of protection against vandalism and misuse. The car panels are constructed of timber and sandwiched between stainless steel panels. Panel width is kept to a minimum to reduce flexing and drumming. The steel panels are separated by a "plastic" strip (Darvic™ equivalent).

CAR FEATURES

- Full range of stainless steel finishes available (304 or 316 grade)
- Heavy duty epoxy resin floor (Storvite™ or equivalent)
- Standard lighting would be flush mounted fluorescent tubes behind Georgian wired glass (Access via car roof)
- High and low level car ventilation
- Design to incorporate GAL MOVFR doorgear with HA facility complete with electronic door edge protection
- The car operating panel incorporates Liftstore US91EN pushbuttons, ILE 48mm dot matrix position indicator, autodialler and speech synthesiser facilities
- Engraving to suit the installation company and client
- Access to rear of car operating panel is via a release mechanism positioned on top of lift car
- Handrail to rear of car

CAR OPTIONS

- Vision panel
- Laminated mirror (stainless steel mirror offered as standard)
- Galvanised sling/platform
- LED lighting
- Tilt up seat
- Side handrails
- Rubber bump strips
- Alternative pushbuttons, indicators, electronic door edge protection all available
- Options for 4-10 persons to suit existing shaft dimensions



LED lighting panel

Our LED lighting option can be fitted to the sides and if necessary the back of the lift car. The panels contain white LED's and are produced to suit the full depth of the car with an overall height of 160 mm. The LED panel is enclosed within a stainless steel frame 16 mm deep and protected by a Polycarbonate diffuser. A battery backed power supply enables one of the fittings to be used for emergency lighting and will give out full brightness for a period of 3 hours. As an option the lights can be dimmed to save energy whilst the lift is not in use.

STANDARD LIFT CAR



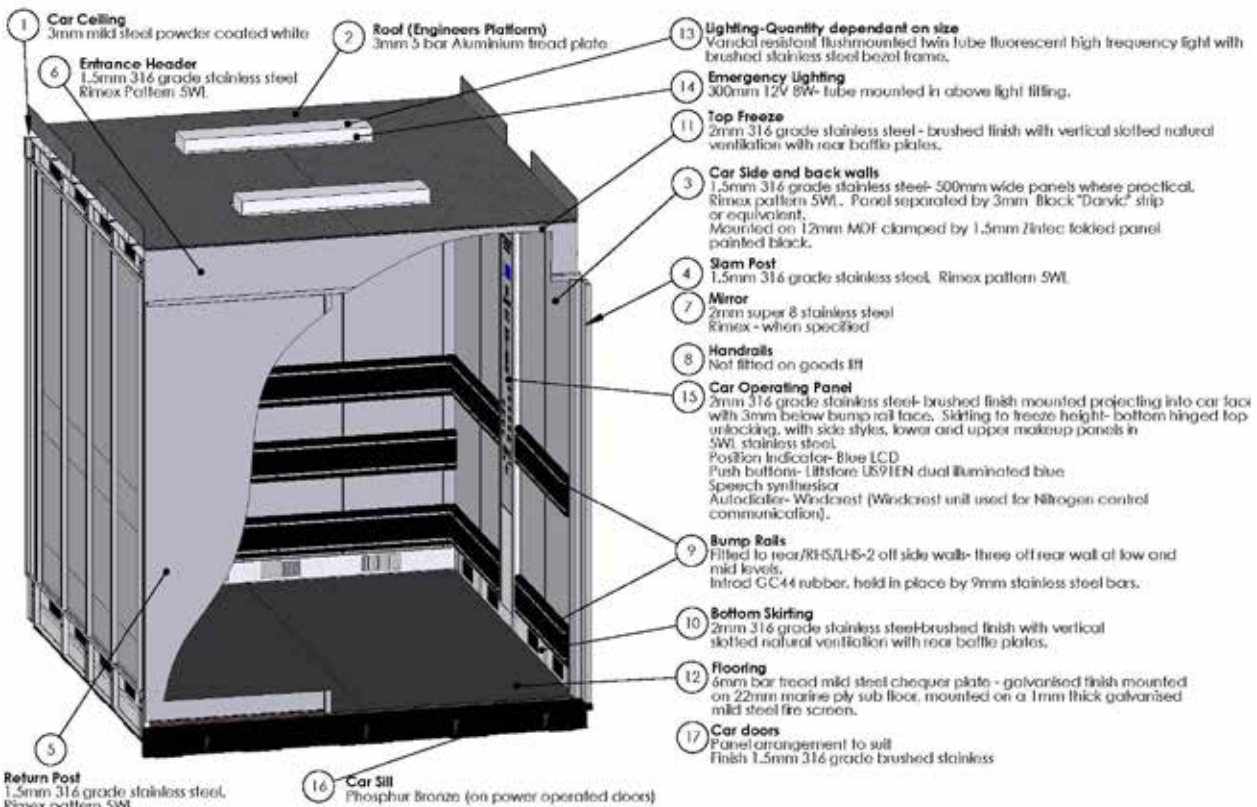
Typical hospital bed / passenger lift car with a combination of laminate and stainless steel finishes to the car walls.

ILE can supply a full range of lift cars, e.g. passenger/bed passenger/goods. These are all of a bespoke design to exactly match customer requirements. All types of stainless steel and laminate finishes available.

All cars are manufactured to DDA requirements and fully assembled within our works before being despatched to site. Slings and car top handrails available, designed to suit new or existing installations. Galvanising also available.



GOODS LIFT - TYPICAL LAYOUT AND FINISHES



LIFT CONTROLLERS

ILE manufacture a full range of lift control systems to suit most requirements from a simple two floor goods hoist to a multi-car group system, or a single speed machine, to a high speed gearless drive. ILE can produce the control system to meet your needs.

ILE has been assessed under the European Lift Directive 2014/33/EU and have been awarded the Quality Assurance Module Certificate of Conformity to Annex X111 of the Lift Directive. This directive is strictly adhered to via EN81. Significant steps have been taken to ensure compliance to the European Directive 2014/30/EU with regards to Electromagnetic Compatibility (EMC). All electrical and electronic apparatus have undergone both in house testing and in certain cases testing via a Namas accredited test facility, resulting in documentation allowing us to issue self certification of compliance with this directive. The fitting of filters, ferrites and cable segregation ensures compliance.

All of our systems, whether it is a simple relay system or a complex microprocessor design, are designed and built using the highest quality materials and there is never a compromise in safety.

GENERAL SPECIFICATION FOR ALL ILE CONTROL SYSTEMS

- All control equipment is mounted within a sheet steel enclosure, with a minimum protection rating of IP54, suitable for wall/ floor mounting, with front access only required
- All control panels are supplied fitted with lifting eyes to ease transportation to the machine room
- Encapsulated diagrams and manuals are supplied with each control panel via an internally mounted document pocket
- The control system operates on a voltage of 110VAC (option for 240VAC) with the main control gear being selected from the Telemecanique "Tesy" range of equipment with silver to silver contacts. Main contactors are rated to AC3 duty plus a minimum of 10% for inching duty
- Internal panel wiring is via tri-rated cable to BS6231 or optionally using LSZH cable
- All electrical equipment is protected from direct finger contact with terminals being selected of a shrouded pattern
- Resistors, when fitted, are mounted externally in IP20 enclosures to give optimum heat dissipation
- All electronics, hardware and software, utilised within our control systems are produced in-house, designed by our own R & D team of engineers with manufacturing via our own P.C.B department



SKYCOM CONTROL SYSTEM

SKYCOM MICROPROCESSOR CONTROL SYSTEM

ILE have been successfully producing the Skycom rack type control system since 2000. It continues to be at the forefront of our engineering production. The system is a conventional hardwired control panel as opposed to the CAN-X control systems and offers ultimate flexibility on site.

- The system benefits from being site programmable via a keypad (password protected) or via a PC or laptop.
- A prominent feature of the SKYCOM system is its large graphical and pictorial 128 x 64 pixel LCD display



SKYCOM CONTROL SYSTEM SPECIFICATION

This control system is designed to suit the following typical specification:

DRIVES

- Single/two speed traction/DCVV/VVVF/SCR/MRL
- Hydraulic

CONTROL SYSTEM

- APB/Down collective/ full collective/non-selective collective
- Rack system will control up to 40 floors full collective or 48 floors down collective/ non-selective collective or APB
- System flexibility allows boards to be added for the required number of floors
- Group operation available without the use of a despatcher
- Inter-panel communication is via CAN (Controller Area Network) serial communication

DOOR OPERATORS

- Suitable for all types of door operator both AC and DC, with the option of selective door operation
- Also suitable for manual or swing type door operation

ENCLOSURE

- IP54 (min) wall/floor mounting

SKYCOM CONTROL SYSTEM

OPERATING VOLTAGE

Control circuit 240 or 110VAC
 Push buttons, indicators etc 24VDC
 Suitable for various brake, ramp and valve voltages
 All inputs and outputs are fully opto-isolated

FLOOR SELECTION

In microprocessor, via ILE shaft encoder, tapehead or proximity switches with terminal limits as backup

INDICATORS

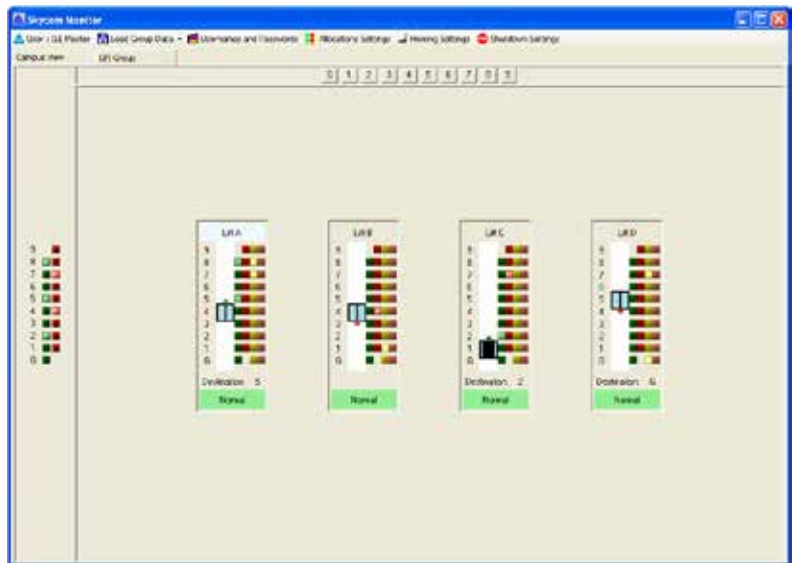
Outputs for 24VDC lift coming or call accepted indicators
 Position indicators and direction arrows
 Hall lanterns and arrival gongs
 Lift here and out of service indication is optional
 Gate open warning system for manual gate installations with 24VDC buzzer supply

SYSTEM FEATURES

110% overload with 24VDC output for indicator, 90% bypass, homing fire control and firefighting control, service control, emergency recall, standby generator operation

SKYCOM CONTROL SYSTEM BENEFITS FROM THE FOLLOWING ADVANCED FEATURES

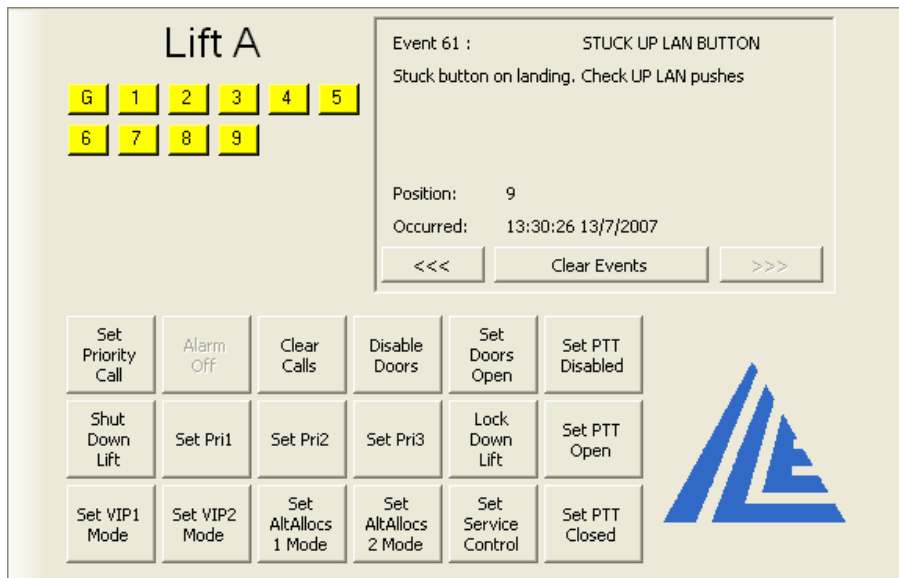
- Fully programmable and parameterised processor system via P.C/laptop or using the keypad interface as supplied
- Design based upon a rack system using surface mount component technology to be small and compact so that a standard size box fits comfortably inside a control panel cabinet up to a maximum of 48 floors
- Powerful 16bit processor, allowing the implementation and addition of complex software routines to enhance the system performance
- Comprehensive fault logging including trace recording with real time/date stamp and an extra 63 characters of event description



Skycom group viewer

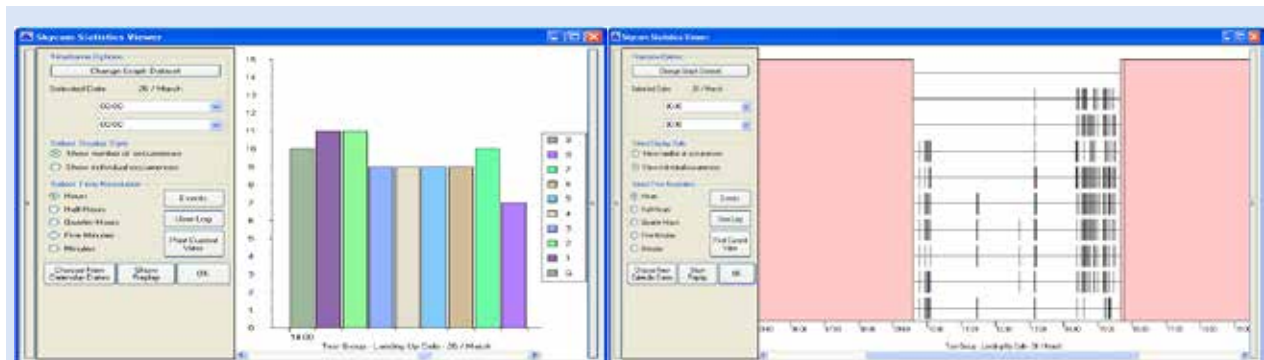
- IO rack system allows variable lift configurations to be implemented, which can be tailor made to suit the application and be cost effective according to the number of floors. Also, each rack plug in board has on board identification (plug and play) which is used to provide information and help setup the board. All boards are protected against mains and overvoltage
- Graphical and pictorial high resolution display allowing the implementation of the "lift viewer" showing graphical information such as lift position, door status, speed, direction, primary and safety circuits, all call information, floor vane status and power supply status. Also the "Input Output Viewer" showing configuration and status of all the inputs as well as showing the identification of the circuit boards fitted
- Parameter system allows users to configure and re-configure the system as required. Modified parameter indication shows all parameters that have changed. ILE serial indicators and speech unit are fully programmable from SKYCOM.

SKYCOM CONTROL SYSTEM



Lift control panel

- Password protection system incorporating different password levels for security of parameters
- Facility to enter individual, all and patterns of calls from SKYCOM
- Real-time clock enhances event storage and allows time based features such as call reallocation (call barring) at different times during the day
- Despatcherless Group systems, achieved via the use of a master/slave system
- Direct serial communication to drives, also direct to floor control
- Adjustment of slowing distance / floor levels via software
- Integral shaft encoder plug in board for high rise / high speed applications with its own programming tool



Skycom statistics viewer

SKYCOM CONTROL SYSTEM OPTIONS

- Fault logger download/print out facility via a standard P.C.
- Full remote monitoring system
- On group systems we would supply a PC for system monitoring / programming
- Full volt-free outputs for BMS monitoring
- Facility is generally provided to suit customer requirements

SKYCOM CAN-X CONTROL SYSTEM

Skycom CAN-X is the new ILE control system. The CAN-X controller is based on a CAN network providing a distributed lift controller utilising pre-loomed plug and play modules reducing installation and commissioning time.



SKYCOM
CAN-X

SKYCOM CAN-X CONTROL SYSTEM

CAN-X is a dual processor system utilising a 16-bit processor for process control and an 8-bit processor for the user interface. Serial drive communication is achieved using a dedicated isolated CAN network and the processor has a drive setup installation wizard to aid fast commissioning.

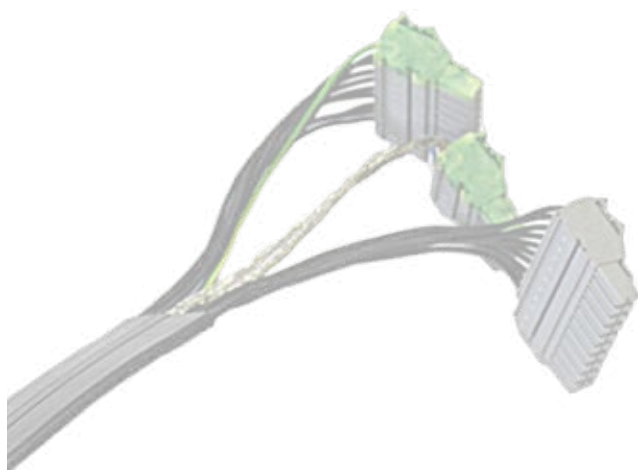
The controller consists of a processor board and CAN nodes distributed throughout the lift installation. These nodes can be situated in the panel, on the car top, and in the lift shaft.

To reduce installation time, looms are provided for :

- Car Top Control Station
- Limit Switches
- Door Gears
- Detector Edges
- Car Operating Panel
- Shaft Wiring (Push Buttons, Indicators, Locks)



Installation kit (Pendant station on 50mtr cable reel) is available to enable quick start up during installation.



MAIN FEATURES

- Simplex control
- Upto 16 floors
- Upto 1.6 m/s
- Hydraulic/traction
- Collective types (Full, Down, Non-Selective, APB)
- Allocation settings
- Configurable I/O
- Fully configurable Speech and indicators
- Fully configurable service routines: Doors, Travel, Anti-Nuisance, Homing, Energy saving (EcoMode)
- Out of service indication, Emergency return profiles
- Time stamped event logging
- LED indication
- Pre loomed shaft wiring (Safety circuit, CAN peripherals)
- Pre-wired auxiliary equipment and plug-in trailing cable
- TÜV approved to the latest EMC lift standards

SKYCOM CAN-X+ CONTROL SYSTEM



New CAN-X+ Controller

Skycom CAN-X+ is the newest ILE control system. The CAN-X+ controller is based on a CAN network providing a distributed lift controller utilising pre-loomed plug and play modules reducing installation and commissioning time.

To reduce installation time the looms can be provided for:
 Car top control station
 Limit switches
 Door gears
 Detector edges
 Car operating panel
 Shaft wiring (push buttons and indicators, and locks)

CAN-X+ is a dual processor system utilising a 32-bit ARM processor for the user interface and grouping control, with a 16-bit processor for process control. Serial drive communication is achieved using a dedicated isolated CAN network, and a drive startup wizard to aid fast commissioning.

CAN-X+ is the next generation of Skycom processor building on the success of the CAN-X system, utilising the latest surface mount technology to improve an established and market proven ILE product. ILE has been producing control systems for the UK market for more than 20 years. We have utilised our knowledge and expertise to create a modern product for today's market place. Skycom CAN-X+ represents affordable, modern technology developed to be both flexible and reliable.

The controller consists of a main processor board, and a set of CAN nodes that can be distributed throughout the lift installation. The nodes can be situated in the panel, on the car top, and in the lift shaft. The controller and all nodes are fully configurable, and all peripherals connected to the processor via the CAN network are also configurable.

Parameterisation is achieved from the touch screen or via a USB connection to a PC. The processor is backward compatible with all existing ILE peripheral products.

The unit is housed on a standalone board, and comes complete with TFT touchscreen screen, Wifi unit, LED status indication and USB ports for easy connectivity to programming tools.



CAN-X+ Processor



SKYCOM CAN-X+ CONTROL SYSTEM

The processor unit comes with a whole host of features to allow easy installation and setup on site.

The large 320 x 240 pixel, colour TFT touch screen allows easy navigation of the processor unit.



CAN-X+ WIFI Unit

The unit comes complete with a built in wifi unit to allow remote connection via the custom built smart phone app. This allows the simple final set up of key features without repeat visits to the motor room. Settings allowed include speech, indicators, push illumination level, door dwell times, ride quality and floor levels.

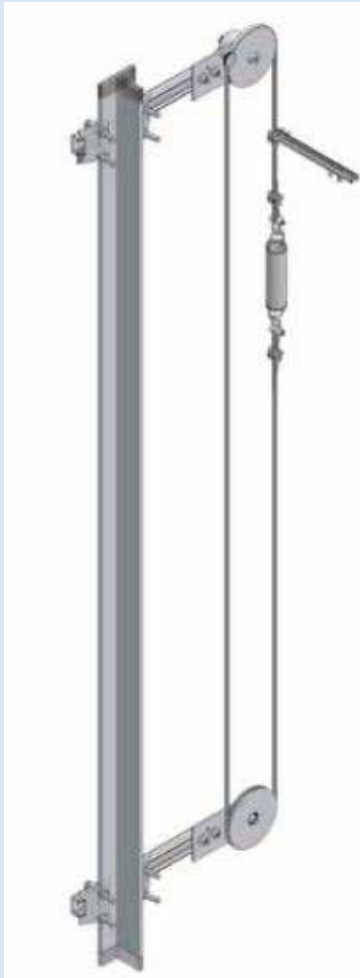
- Other key features of the new processor are:
- Absolute shaft encoder positioning system
- Self learning shaft run
- Simple set-up procedure via iphone app or TFT touchscreen
- Group control
- Dual processor



CAN-X+ Setup App

<p>Skycom CAN-X+ Processor</p> <ul style="list-style-type: none"> Internal CPU and logic supplies USB communication port (PC/USB Stick) Wireless connection for app control CAN connection to node networks and drive Integrated fault relay RTC with external battery backup Full Colour TFT touch screen display (User Interface HMI) Ethernet connectivity On board data logging to SD card LED status indication (Loop, Master, Fault, CAN1, CAN2, CAN3, CAN4, Ethernet) Fault analysis Manuals and drawings on board <p>Nodes</p> <ul style="list-style-type: none"> User selectable address Onboard CAN terminating resistor (via switch) Isolated CAN interface with protection Isolated internal logic supply with protection 8-bit processor <ul style="list-style-type: none"> I/O node (2 and 8 way) On board piezo sounder (call recognition) inputs discrete/linked via software Diagnostic and thermal monitoring 	<ul style="list-style-type: none"> Input stage 5-30VDC opto-isolated Over voltage and reverse polarity protection Current limiting and dissipation Discrete Output stage 24VDC (via internal supply) opto-isolated 0.7A per channel output current Operating voltage up to 36V Short circuit and overvoltage protection Loss of ground protection Under voltage diagnostic and overvoltage shutdown Junction over temperature shutdown <ul style="list-style-type: none"> Upto 8 car group control Upto 32 floors Upto 4 m/s Hydraulic/traction Collective types (Full, Down, Non-Selective, APB) Allocation settings Configurable I/O Fully configurable Speech and indicators Fully configurable service routines: <ul style="list-style-type: none"> Doors Travel Anti-Nuisance Energy saving (EcoMode) Homing Out of service indication Emergency return profiles Time stamped event logging Pre loomed shaft wiring (Safety circuit, CAN peripherals), Trailing Cable
--	---

ILE ABSOLUTE SHAFT ENCODER SYSTEM



The ILE digital shaft encoder has been developed for use on higher speed lifts or where the use of a tapehead or proximity switching device is not suitable, due to aesthetics or environment. The system is a dedicated position sensing device, capable of providing no compromise control over the lifts slowing and stopping functions.

Measuring set for easy installing the belt on existing brackets in the elevator shaft.

- Quiet and non-slip digital shaft copying for universal mounting on a lift cabin
- Use up to speeds of 4 m/s (800 ft/min).
- Particularly quiet and smooth-running, thanks to special belts and low-noise suspension.
- User-friendly, reliable alternative to switches and sensors.
- Accuracy in the shaft:
 - Incremental encoder WDG158B up to 0.08 mm/pulse (0.0031496 inch/pulse) at 5000 pulses
 - Absolute encoder WDG58B multiturn, with CANopen interface: 4,096 steps/turn and 262,144 (18 bit multiturn) turns, CANopen LIFT interface: 4,096 steps/turn and 262,144 (18 bit multiturn) turns or SSI interface: 4,096 (12 bit) steps/turn and 8,192 (13 bit multiturn) turns
- Quick and easy mounting with our complete belt fixing and tensioning set.

The quiet Silent Move belt shaft copying devices are systems which are installed quickly and easily in the shaft.

All installation components required for standard installation to the lift cab rail or on the wall are supplied.

Repeat precision with absolute shaft encoder +/- 0.223mm

Self-guiding special belt for exceptionally quiet, non-slip measuring with noise-reducing wheel.



Absolute Encoder



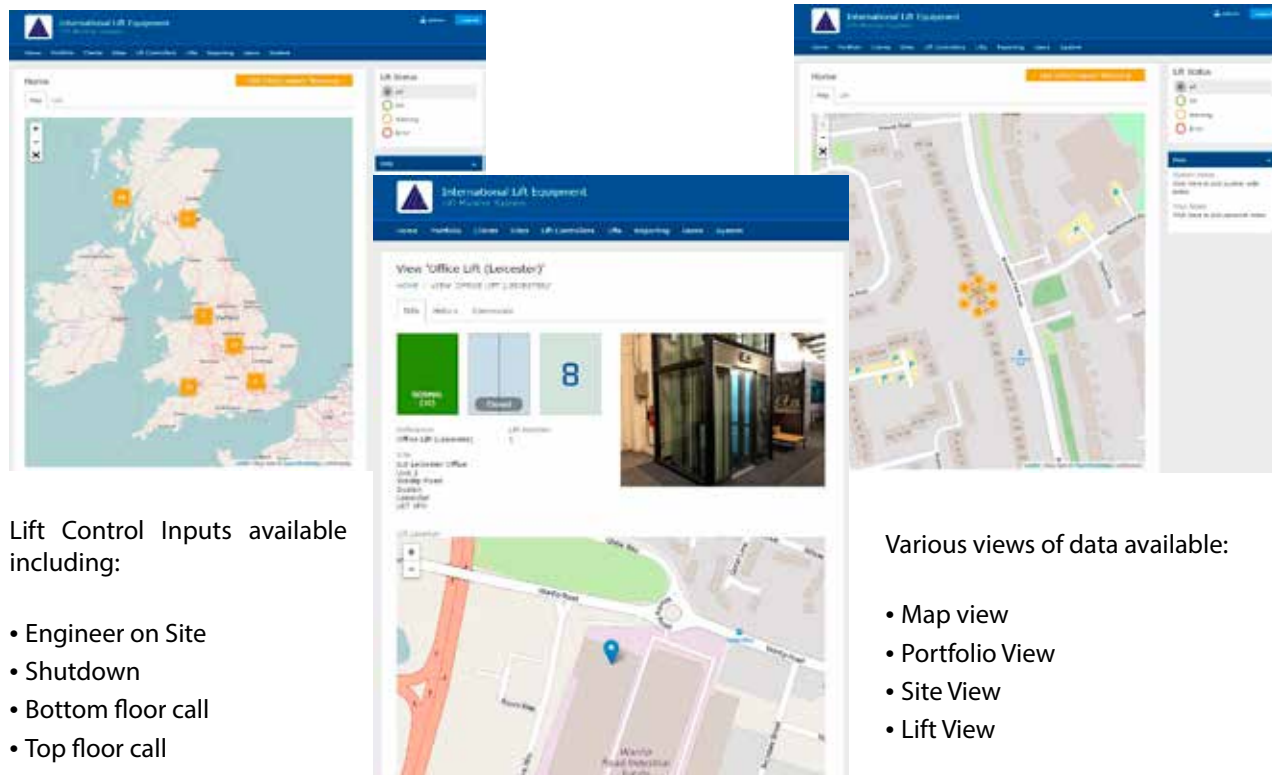
Component Parts



Shaft encoder belt

WEB BASED MONITORING

The ILE web based monitoring system allows the user to monitor and manage a lift installation remotely via a web browser either from a P.C, smart phone or tablet. Information regarding the lifts status is held in a central cloud based system.



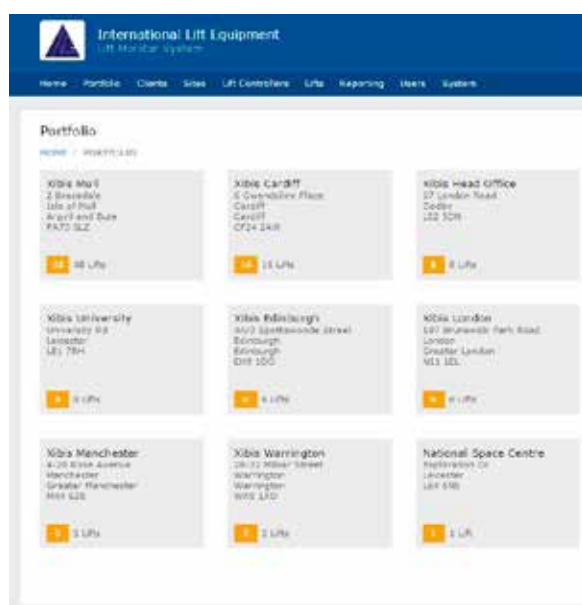
Lift Control Inputs available including:

- Engineer on Site
- Shutdown
- Bottom floor call
- Top floor call

Instant alerts are given of a lift breakdown via amber or red flags shown on configurable google maps showing lift locations.

The customer has the flexibility to add locations with photograph's and comments for the service operator.

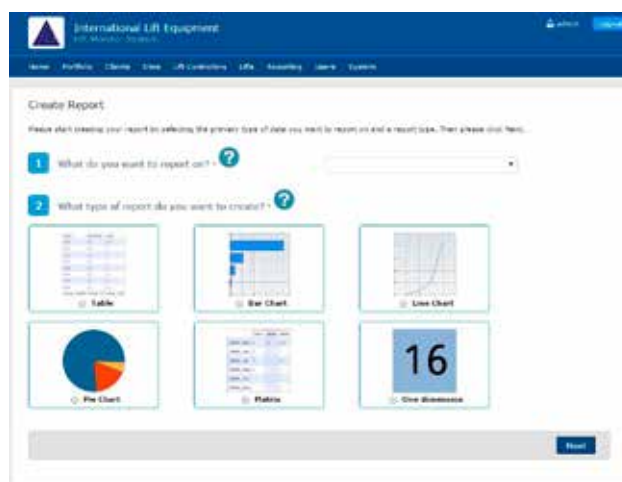
Based around the ILE Skycom CAN-X technology, lifts can be monitored 24/7, 365 days a year, providing remote fault finding saving time and money on callouts.



Portfolio View

Various views of data available:

- Map view
- Portfolio View
- Site View
- Lift View



Reporting Tool

Features and benefits

- Web based access to remote equipment
- High level security protected
- All events are time stamped and stored in a database
- Reporting tool allows analysis of historical data
- Facility to SMS/ email engineer from the monitoring system
- Easy to use
- Can be interfaced with most existing control systems

MRL COMPLETE PACKAGES

ILE produce and supply a full range of high quality complete machine roomless lift packages. We have a department of engineers dedicated to the quoting, design and project management of each lift we provide.

All equipment is of the highest quality, from Ziehl Abegg gearless motors, ILE skycom CAN-X control systems, and options for a European style VF doorgear or the GAL heavy duty version.

All aspects such as load, speed and finishes are fully flexible and can be designed to suit existing lift shaft dimensions.

Solutions for standard and bespoke requirements.

Provide CAN-X and CAN-X+ control systems coming with pre-wired modules which reduce installation and commissioning time.

Large variety of floor and wall finishes allowing us to provide a complete bespoke package.

Variety of formations and styles are available for handrails, mirrors and lighting as well as custom designs if you required them



We offer a full consulting and technical service when planning your lift installation. Firefighting and Evacuation lifts available. MRL lift installed at the Leicester factory available for viewing.

MRL CONTROL PANELS

As part of our range of lift control panels, ILE can offer replacement control systems to suit various types of existing or new MRL's. The system uses our latest Skycom CAN-X microprocessor and is based on a CAN network, providing a distributed lift controller utilising pre-loomed plug and play modules, reducing installation and commissioning time.

Numerous options of enclosure style are available including stainless steel slimline on the landing with inverter in the lift shaft, or a tall slim 3 door cabinet encasing the inverter to be mounted on a landing. Option available for Automatic Rescue in the event of mains failure to the nearest floor.



Drive mounted in shaft



Rescue Panel



MRL controller


Controllers available to suit new and most existing MRL systems including:

Otis GEN2, Thyssen, Schindler, Kone Monospace (including motor replacement if required), Orona etc.


All ILE controllers carry a 3 year manufacturer's warranty.

Site surveys and On-site technical support.

Pre-loomed with trailing cables and will generally include new car and landing operating stations, switching system, pre-wired BS7255 car top control, position indicators (either dot matrix or full colour TFT).



REDUCED POWER MODE ONE
switches off the car lights and fan after an adjustable period of inactivity.



REDUCED POWER MODE TWO
switches off indicators, dual illumination and auxiliary equipment after an adjustable period of inactivity. This mode starts once Reduced Power Mode 1 has timed out.

Eco modes available on all MRL panels to reduce power usage

VF ADD-ON SYSTEM

With litigation following accidents becoming more and more of an issue, it is important that lift installations should give good floor leveling accuracy to negate the chance of tripping and subsequent legal action being taken. Furthermore, with the advent of the Disability Discrimination Act and the introduction of EN81-70 there is a requirement to maintain a stopping accuracy of +/- 10mm.

On both two speed and single speed (additional engineering required) lift systems, this level of accuracy can be very difficult to achieve and maintain. The options are to either replace the existing motor and control panel or interface an inverter to run in conjunction with the existing motor and controller. The option of replacing the motor, control panel or both can be expensive and require long delivery and installation periods.

ILE have produced a solution requiring minimal interfacing with the existing controller. Installation time varies depending on site location but normally only requires 8 hours site work using competent engineers. Copies of the existing wiring diagrams must be made available to ILE before commencement of the work.



*VF Add-on system
with Fuji drive unit*

VF ADD-ON FEATURES

- The inverters are suitable for open loop operation up to 1mps with a floor level accuracy +/- 5mm and closed loop operation up to 2.5mps with a floor level accuracy +/- 3mm
- ILE can produce systems to suit most motor ratings but this particular arrangement is suitable for use with motors rated between 4 and 25Kw up to approximately 50A full load current (dependant on starting torque required)
- For closed loop operation a 1024 pulse HTL 10-30v encoder is required. ILE offer a conversion service to replace any existing analogue unit with a suitable digital encoder picking up the existing fixings/couplings
- This system is also suitable as a replacement for existing obsolete or faulty inverters
- Using this system the lift can be refurbished in two stages i.e. firstly replacing the inverter and then at a later date the main controller can be replaced with a new ILE system. The inverter will simply plug into the new controller

SERVICE REPAIR & REPLACEMENT

International Lift Equipment have been producing control systems since 1987. All of the microprocessors used during this period are still available as replacements or can be repaired in-house. Upgrading to Skycom is also feasible.



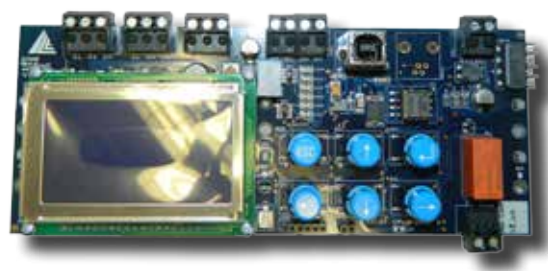
WITRONIC MPSA MPSA-L MPSLC MIDIFLITE INTERFLITE



ALL SKYCOM BOARDS SKYCOM SOLO BOARDS SOLO HANDHELD PROGRAMMING TOOL



SKYCOM CAN-X+ PROCESSOR



SKYCOM CAN-X PROCESSOR



SKYCOM CAN-X SPEECH BOARD



SKYCOM CAN-X NODE BOARDS

ILE REMOTE DATA DISPLAY

The ILE Remote Data Display Unit is designed for displaying important messages, information or advertising to lobby or reception areas. These messages can include text, static images, live news feeds, time and date, scheduled messages, animation and video content and can be designed and programmed from anywhere using the easy to use browser based software and uploaded remotely.



Unit Size 606 mm x 520 mm

WIRELESS DATA CONNECTION

Content can be created at a centralised office using the web based content management system

The content can be distributed remotely to any active display units



Content Creator Interface



Content Manager Interface

The system is available in 2 configurations, 3G and Wi-Fi. The 3G system works via the cellular network allowing the user to upload information from anywhere over the internet, through the browser based software. The Wi-Fi option works the same as the 3G option but utilises an existing local Wi-Fi network.

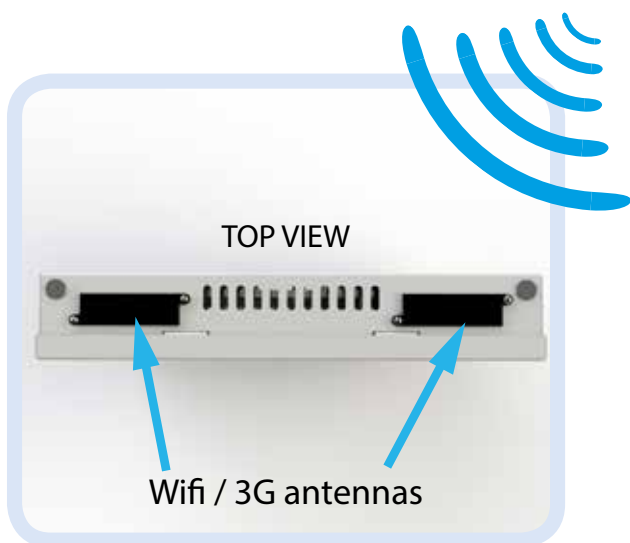
RESIDENTIAL BUILDING



Content can be displayed for individual or groups of displays, managed via the browser based content management system.

Varying user roles can be configured to allow different levels of control from view only to full administrator rights.

Content is deployed via a single deploy action which allows the user to update single or multiple screens.



Content is uploaded to the screen which is displayed in full colour. This will continue to display until new content is received. The screen comes complete with signage player, network router, vandal resistant enclosure and all required cabling

The signage player requires a subscription to the Content Management System (CMS) which allows the creation, deployment and management of the data content. This subscription also includes free software upgrades.

The CMS system is browser based so can be accessed from most devices, anywhere with an internet connection. We offer facilitation of this subscription service with a supplier.

The 3G option also requires a mobile SIM to operate and again we offer facilitation of this service with a supplier.

The payment of the SIM and CMS subscriptions is the responsibility of the purchaser.

For any further information on this product please contact the Leicester office.

ENERGY EFFICIENCY

ILE – helping the environment



Up to 15% of a building's energy requirement is used by its lift system, which means there's plenty of scope for energy savings to be made.

International Lift Equipment believe that energy efficiency is paramount and have therefore fully embraced the new technology available to achieve significant energy savings, and by so doing help in:

- reducing the use of natural resources;
- lowering carbon dioxide emissions;
- combating climate change
- reducing costs



Energy efficiency and savings when using ILE Skycom control systems

The Skycom control system along with powerful VVVF inverter technology offers an impressive energy efficient solution to lift systems.

The VVVF system offers improved energy efficiency over existing AC or DC motor control. The geared VVVF system can also offer improved energy savings and a gearless VVVF system can give a further increase to this saving. ILE can also offer a fully regenerative solution where unwanted energy from the system can be put back into the mains, using inverter technology instead of a dynamic braking resistor network.

The Skycom processor has numerous 'ECO' options which have been incorporated to improve energy efficiency as follows:

- Automatically turning off car lights and fans when there is no demand for the lift as the system is deemed to be in an idle state. A configurable output is provided that can be adjusted via parameters within the Skycom processor to suit site conditions.

- Automatically turning off all indicators when the lift is deemed to be idle.
- Automatically turn off all nonessential power supplies within the control panel.
- Automatically select a reduced power saving mode by selecting a more economic ride profile. This economy feature is provided for non critical runs such as homing to specific floors following power failure or a non- essential journey.
- Manipulate lift zoning and homing control to reduce the number of journeys a group system makes during off-peak periods. These features are configurable via parameters within the processor to suit site conditions using timers or digital inputs.

TYPICAL POWER SAVING OF UP TO 30% PER DAY

Calculations are based on 240 starts per hour between the hours of 5.30 am to 7.30 pm on a 12 floor lift with Position Indicators at all landings and 60 watts of car lighting with dual illuminated landing and car pushes.

REDUCED POWER MODE ONE
switches off the car lights and fan after an adjustable period of inactivity.

The savings using just reduced Power Mode One are 1035.3 kW/h per annum which equates to a saving indicative of £120 per annum.

REDUCED POWER MODE TWO
switches off indicators, dual illumination and auxiliary equipment after an adjustable period of inactivity. This mode starts once Reduced Power Mode 1 has timed out.

The savings using both Reduced Power Mode One & Two are 4554.893 kW/h which equates to a saving indicative of £525 per annum.

ENERGY EFFICIENCY

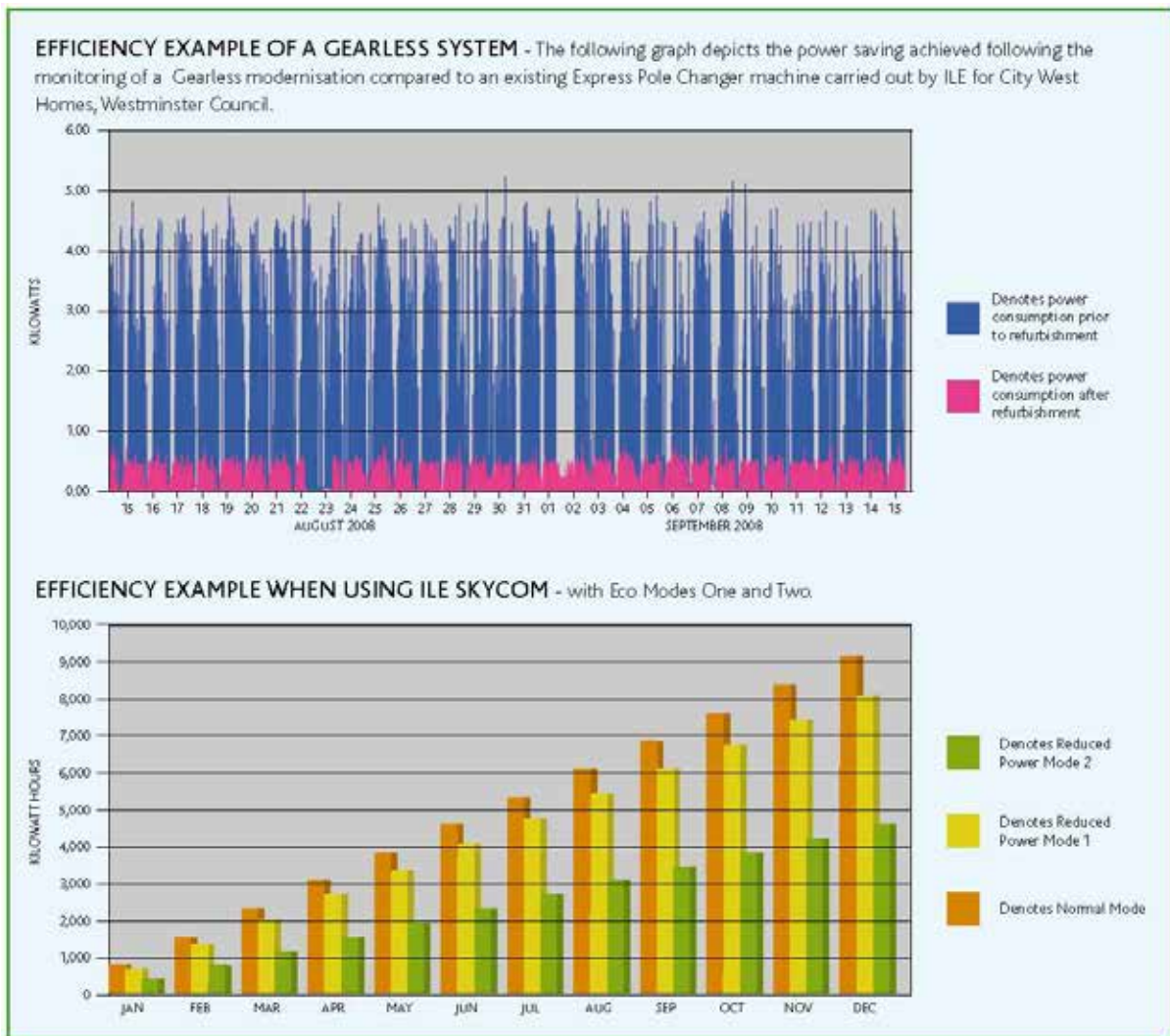
Energy efficiency and savings offered by gearless systems

Further efficiency and energy savings are achieved by introducing our Gearless technology. The benefits of Gearless applications are as follows:

- Ease of installation
- Reduced lift 'out of service' time.
- No gear maintenance or periodic lubrication oil replacement.
- Vibration free operation reflected in the ride quality within the lift car.
- Low operating noise level.
- More efficient therefore requiring less power in accordance with Eco policies and standards.



- Increased reliability due to there being far less mechanical components.
- Dual brakes fitted which ensure full compliance with EN81 with regards to the upward falling of a lift.
- Due to the efficiency of the gearless system, the lift motor is reduced in kilowatt rating by up to 50% thereby not only substantially reducing the kw rating of the motor but also the cable requirements. This enables the VVVF drive rating to be proportionally smaller resulting in a reduction in the price of the control panel.



ILE FOLLOW THE GUIDELINES OF THE ROHS AND WEEE DIRECTIVES



INTERNATIONAL LIFT EQUIPMENT

www.ileweb.com

Leicester: 0116 2690900

London: 0208 527 9669

Keighley: 01535 609 311